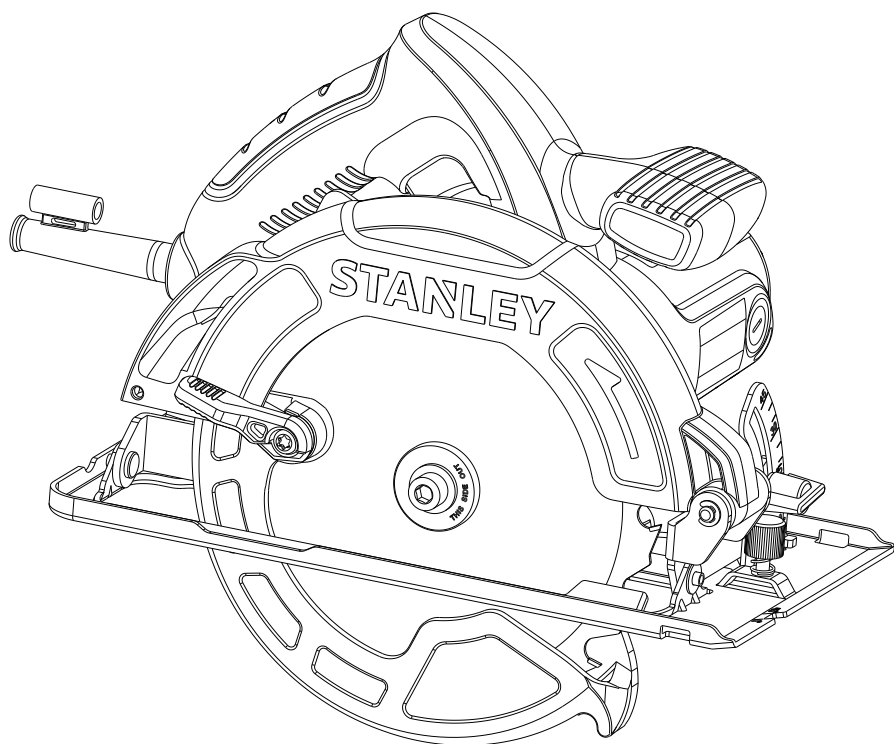
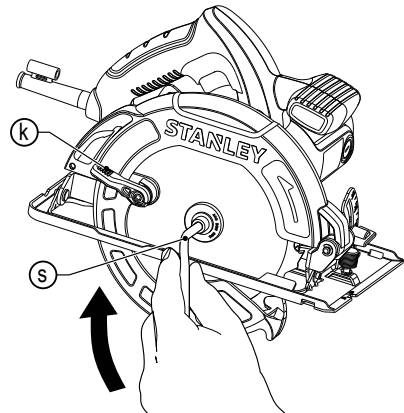
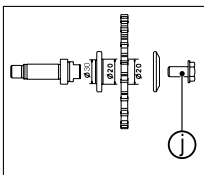
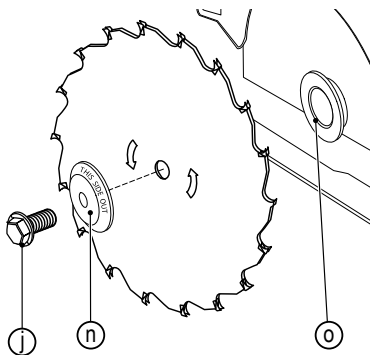
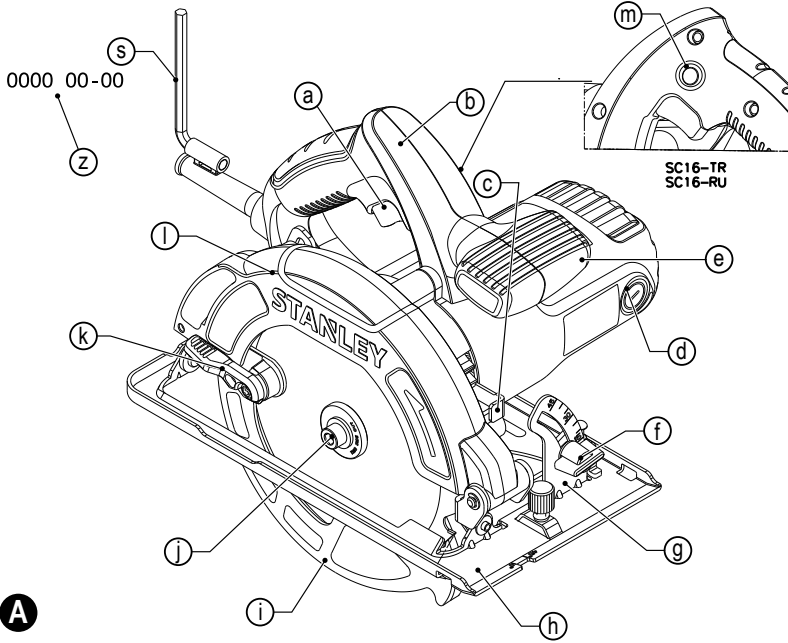


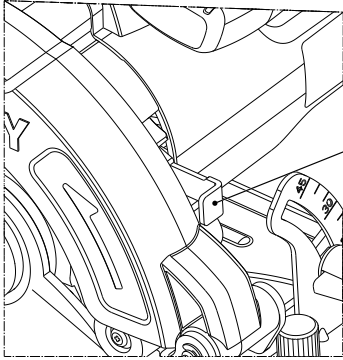
STANLEY®



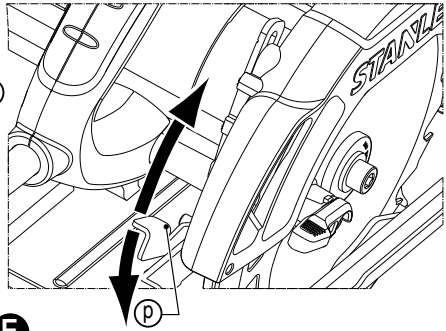
SC16

English	Page	08
Russian	Page	17
Ukrainian	Page	30
Turkish	Page	41

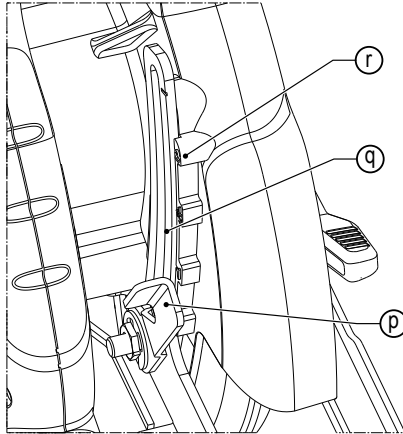




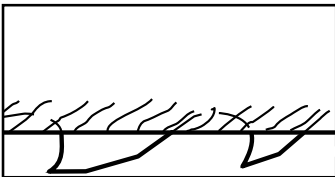
D



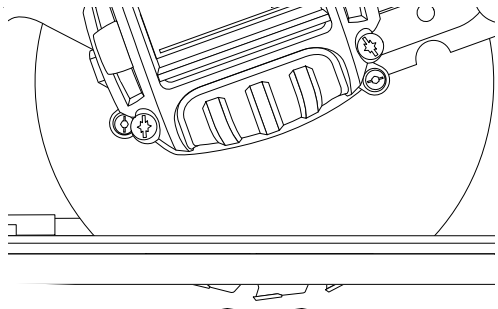
E

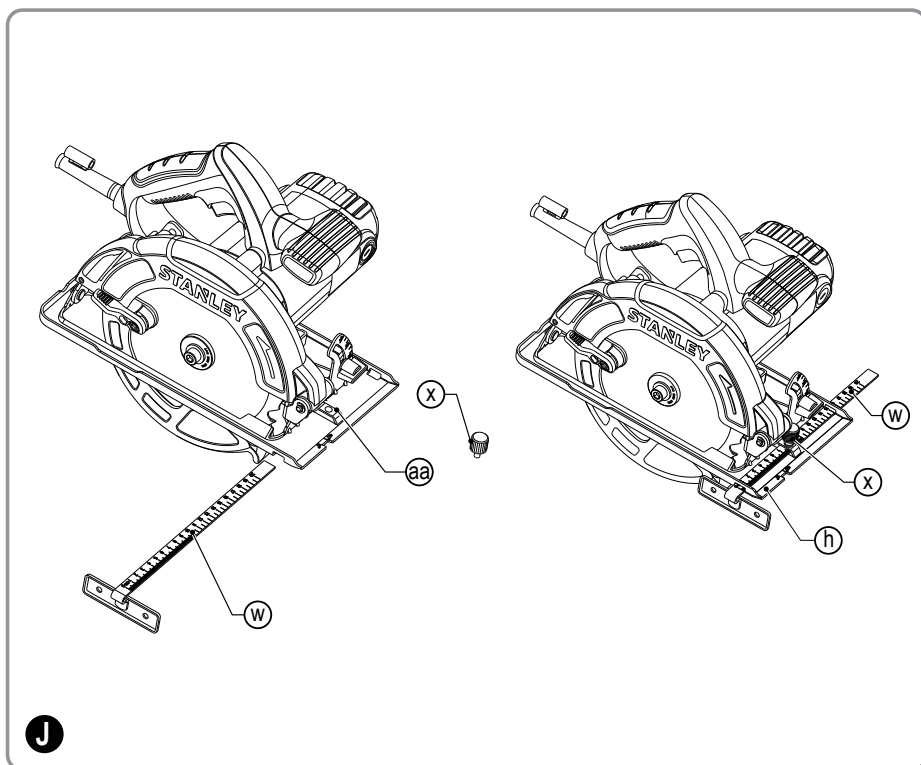
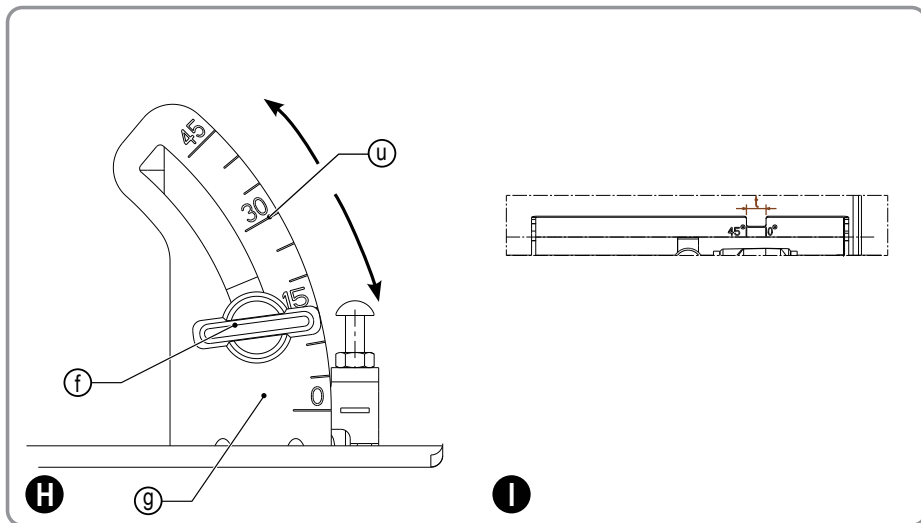


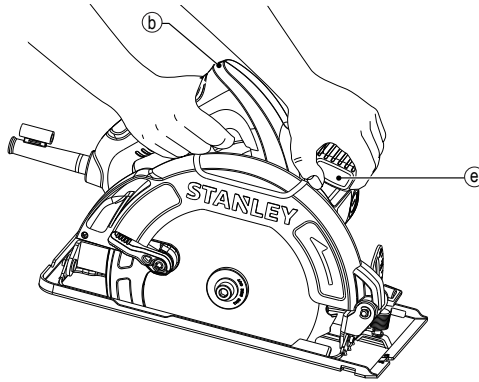
F



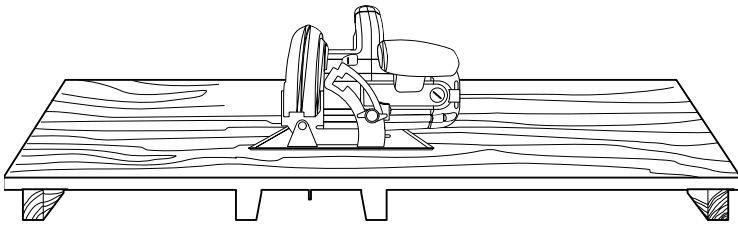
G



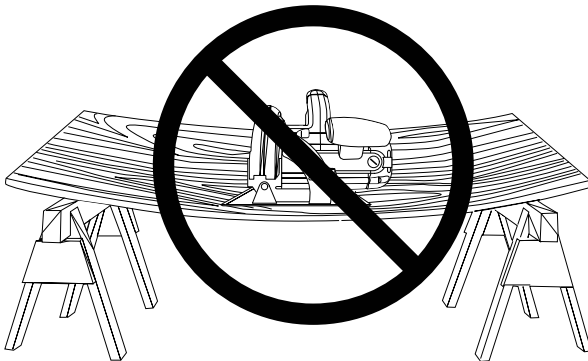




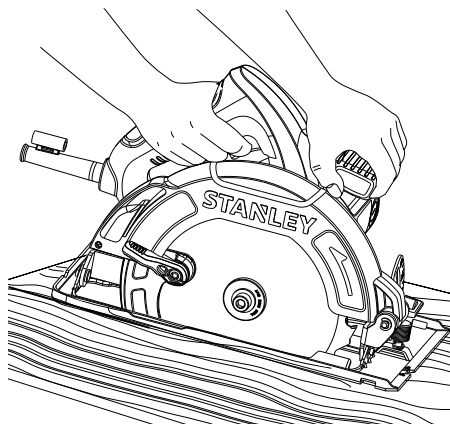
K



L



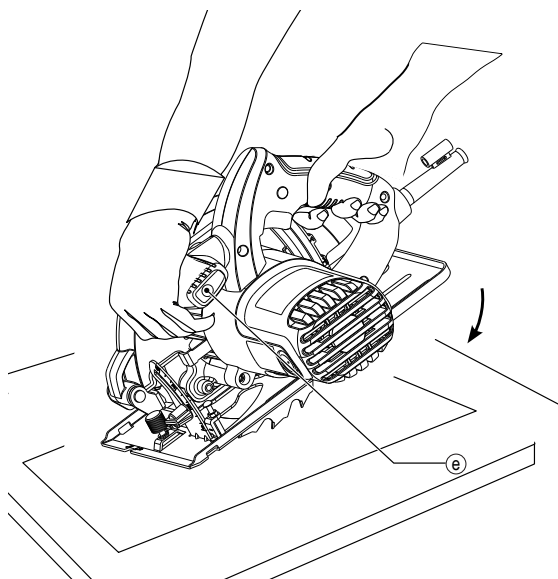
M



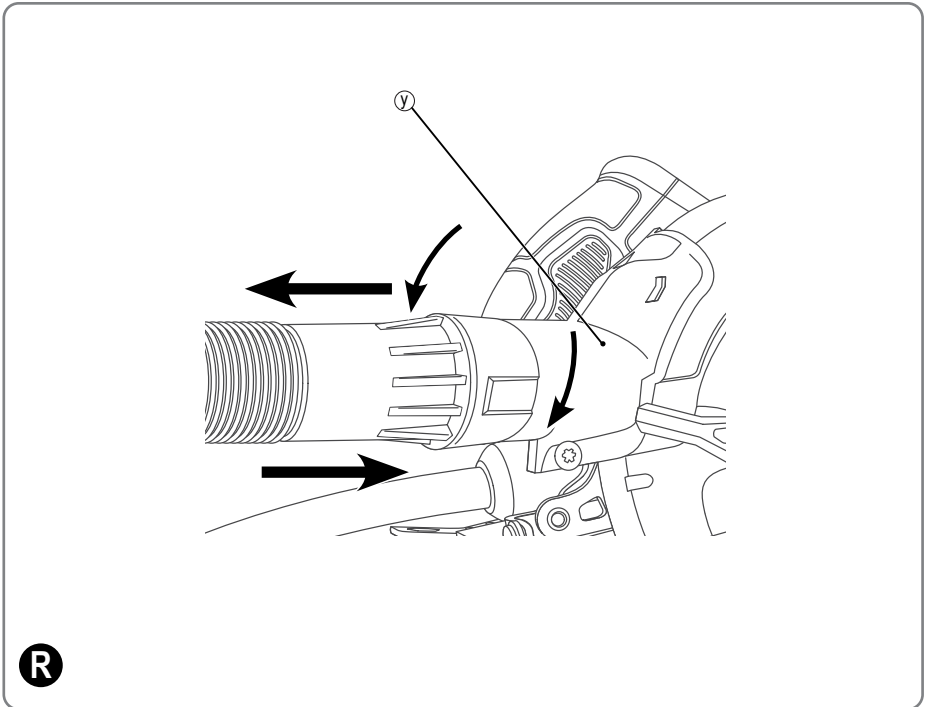
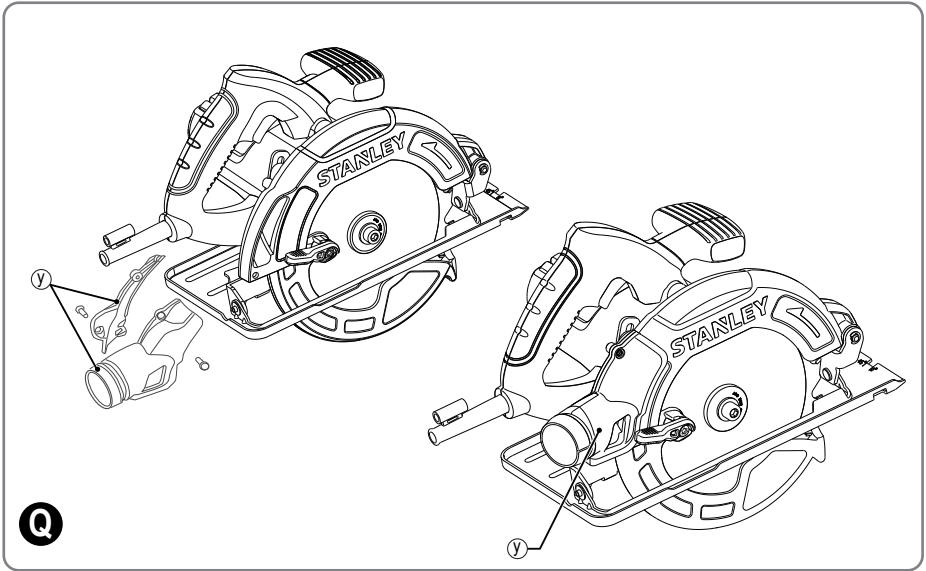
N



O



P



INTENDED USE

Your STANLEY Circular Saw SC16 has been designed for wood cutting applications. This tool is intended for professional use.

SAFETY INSTRUCTIONS

The definitions below describe the level of severity for each signal word. Please read the manual and pay attention to these symbols.



DANGER: Indicates an imminently hazardous situation which, if not avoided, **will result in death or serious injury.**



WARNING: Indicates a potentially hazardous situation which, if not avoided, **could result in death or serious injury.**



CAUTION: Indicates a potentially hazardous situation which, if not avoided, **may result in minor or moderate injury.**

NOTICE: Indicates a practice not related to personal injury which, if not avoided, **may result in property damage.**



Denotes risk of electric shock.



Denotes risk of fire.



Warning: To reduce the risk of injury, read the instruction manual.

General power tool safety warnings

WARNING! Read all safety warnings, instructions, illustrations and specifications provided with this power tool. Failure to follow all instructions listed below may result in electric shock, fire and/or serious injury.

Save all warnings and instructions for future reference.

The term "power tool" in the warnings refers to your mains-operated (corded) power tool or battery-operated (cordless) power tool.

1. Work area safety

- a. **Keep work area clean and well lit.** Cluttered or dark areas invite accidents.
- b. **Do not operate power tools in explosive atmospheres, such as in the presence of flammable liquids, gases or dust.** Power tools create sparks which may ignite the dust or fumes.
- c. **Keep children and bystanders away while operating a power tool.** Distractions can cause you to lose control.

2. Electrical safety

- a. **Power tool plugs must match the outlet. Never modify the plug in any way. Do not use any adapter plugs with earthed (grounded) power tools.** Unmodified plugs and matching outlets will reduce risk of electric shock.
- b. **Avoid body contact with earthed or grounded surfaces such as pipes, radiators, ranges and refrigerators.** There is an increased risk of electric

shock if your body is earthed or grounded.

- c. **Do not expose power tools to rain or wet conditions.** Water entering a power tool will increase the risk of electric shock.
 - d. **Do not abuse the cord. Never use the cord for carrying, pulling or unplugging the power tool. Keep cord away from heat, oil, sharp edges or moving parts.** Damaged or entangled cords increase the risk of electric shock.
 - e. **When operating a power tool outdoors, use an extension cord suitable for outdoor use.** Use of a cord suitable for outdoor use reduces the risk of electric shock.
 - f. **If operating a power tool in a damp location is unavoidable, use a residual current device (RCD) protected supply.** Use of an RCD reduces the risk of electric shock.
3. **Personal safety**
 - a. **Stay alert, watch what you are doing and use common sense when operating a power tool. Do not use a power tool while you are tired or under the influence of drugs, alcohol or medication.** A moment of inattention while operating power tools may result in serious personal injury.
 - b. **Use personal protective equipment. Always wear eye protection.** Protective equipment such as a dust mask, non-skid safety shoes, hard hat, or hearing protection used for appropriate conditions will reduce personal injuries.
 - c. **Prevent unintentional starting. Ensure the switch is in the off-position before connecting to power source and/or battery pack, picking up or carrying the tool.** Carrying power tools with your finger on the switch or energising power tools that have the switch on invites accidents.
 - d. **Remove any adjusting key or wrench before turning the power tool on.** A wrench or a key left attached to a rotating part of the power tool may result in personal injury.
 - e. **Do not overreach. Keep proper footing and balance at all times.** This enables better control of the power tool in unexpected situations.
 - f. **Dress properly. Do not wear loose clothing or jewellery. Keep your hair and clothing away from moving parts.** Loose clothes, jewellery or long hair can be caught in moving parts.
 - g. **If devices are provided for the connection of dust extraction and collection facilities, ensure these are connected and properly used.** Use of dust collection can reduce dust-related hazards.
 - h. **Do not let familiarity gained from frequent use of tools allow you to become complacent and ignore tool safety principles.** A careless action can cause severe injury within a fraction of a second.
 4. **Power tool use and care**
 - a. **Do not force the power tool. Use the correct power tool for your application.** The correct power tool will do the job better and safer at the rate for which it was designed.
 - b. **Do not use the power tool if the switch does not**

turn it on and off. Any power tool that cannot be controlled with the switch is dangerous and must be repaired.

- c. **Disconnect the plug from the power source and/ or remove the battery pack, if detachable from the power tool before making any adjustments, changing accessories, or storing power tools.** Such preventive safety measures reduce the risk of starting the power tool accidentally.
 - d. **Store idle power tools out of the reach of children and do not allow persons unfamiliar with the power tool or these instructions to operate the power tool.** Power tools are dangerous in the hands of untrained users.
 - e. **Maintain power tools and accessories. Check for misalignment or binding of moving parts, breakage of parts and any other condition that may affect the power tools operation. If damaged, have the power tool repaired before use.** Many accidents are caused by poorly maintained power tools.
 - f. **Keep cutting tools sharp and clean.** Properly maintained cutting tools with sharp cutting edges are less likely to bind and are easier to control.
 - g. **Use the power tool, accessories and tool bits etc. in accordance with these instructions, taking into account the working conditions and the work to be performed.** Use of the power tool for operations different from those intended could result in a hazardous situation.
 - h. **Keep handles and grasping surfaces dry, clean and free from oil and grease.** Slippery handles and grasping surfaces do not allow for safe handling and control of the tool in unexpected situations.
- 5. Service**
- a. **Have your power tool serviced by a qualified repair person using only identical replacement parts.** This will ensure that the safety of the power tool is maintained.

ADDITIONAL SPECIFIC SAFETY RULES

Safety instructions for all saws

Cutting procedures

- a.  **DANGER! Keep hands away from cutting area and the blade. Keep your second hand on auxiliary handle, or motor housing. If both hands are holding the saw, they cannot be cut by the blade.**
NOTE: For circular saws with a maximum blade of 140mm or smaller, the words "Keep your second hand on auxiliary handle, or motor housing" do not apply.
- b. **Do not reach underneath the workplace.** *The guard cannot protect you from the blade below the workpiece.*
- c. **Adjust the cutting depth to the thickness of the workpiece.** Less than a full tooth of the blade teeth should be visible below the workpiece.
- d. **Never hold piece being cut in your hands or across your leg.** Secure the workpiece to a stable platform. It is important to support the work properly to minimize body exposure, blade binding, or loss of control.
- e. **Hold power tool by insulated gripping surfaces when performing an operation where the cutting**

tool may contact hidden wiring. Contact with a "live" wire will also make exposed metal parts of the power tool "live" and shock the operator.

- f. **When ripping, always use a rip fence or straight edge guide.** This improves the accuracy of cut and reduces the chance of blade binding.
- g. **Always use blades with correct size and shape (diamond versus round) of arbour holes.** Blades that do not match the mounting hardware of the saw will run eccentrically, causing loss of control.
- h. **Never use damaged or incorrect blade washers or bolt.** The blade washers and bolt were specially designed for your saw, for optimum performance and safety of operation. Additional Safety Information

Further safety instructions for all saws

Kickback causes and related warnings

- Kickback is a sudden reaction to a pinched, bound or misaligned saw blade, causing an uncontrolled saw to lift up and out of the workpiece toward the operator;
- When the blade is pinched or bound tightly by the kerf closing down, the blade stalls and the motor reaction drives the unit rapidly back toward the operator;
- If the blade becomes twisted or misaligned in the cut, the teeth at the back edge of the blade can dig into the top surface of the wood causing the blade to climb out of the kerf and jump back toward the operator.

Kickback is the result of saw misuse and/or incorrect operating procedures or conditions and can be avoided by taking proper precautions as given below:

- a. **Maintain a firm grip with both hands on the saw and position your arms to resist kickback forces.** Position your body to either side of the blade, but not in line with the blade. Kickback could cause the saw to jump backwards, but kickback forces can be controlled by the operator, if proper precautions are taken.
- b. **When blade is binding, or when interrupting a cut for any reason, release the trigger and hold the saw motionless in the material until the blade comes to a complete stop.** Never attempt to remove the saw from the work or pull the saw backward while the blade is in motion or kickback may occur. Investigate and take corrective actions to eliminate the cause of blade binding.
- c. **When restarting a saw in the workpiece, centre the saw blade in the kerf and check that saw teeth are not engaged into the material.** If saw blade is binding, it may walk up or kickback from the workpiece as the saw is restarted.
- d. **Support large panels to minimise the risk of blade pinching and kickback. Large panels tend to sag under their own weight.** Supports must be placed under the panel on both sides, near the line of cut and near the edge of the panel.
- e. **Do not use dull or damaged blades.** Unsharpened or improperly set blades produce narrow kerf causing excessive friction, blade binding and kickback.
- f. **Blade depth and bevel adjusting locking levers must be tight and secure before making cut.** If blade

adjustment shifts while cutting, it may cause binding and kickback.

- g. **Use extra caution when making a “plunge cut” into existing walls or other blind areas.** The protruding blade may cut objects that can cause kickback.

Lower guard safety instructions

- a. **Check the lower guard for proper closing before each use.** Do not operate the saw if lower guard does not move freely and close instantly. Never clamp or tie the lower guard into the open position. If saw is accidentally dropped, lower guard may be bent. Raise the lower guard with the retracting handle and make sure it moves freely and does not touch the blade or any other part, in all angles and depths of cut.
- b. **Check the operation of the lower guard spring.** If the guard and the spring are not operating properly, they must be serviced before use. Lower guard may operate sluggishly due to damaged parts, gummy deposits, or a build-up of debris.
- c. **The lower guard should be retracted manually only for special cuts such as “plunge cuts” and “compound cuts”.** Raise lower guard by retracting handle and as soon as blade enters the material, the lower guard must be released. For all other sawing, the lower guard should operate automatically.
- d. **Always observe that the lower guard is covering the blade before placing saw down on bench or floor.** An unprotected, coasting blade will cause the saw to walk backwards, cutting whatever is in its path. Be aware of the time it takes for the blade to stop after switch is released.

concerning use of the tool by a person responsible for their safety.

- Children should be supervised to ensure that they do not play with the appliance.

RESIDUAL RISKS

In spite of the application of the relevant safety regulations and the implementation of safety devices, certain residual risks cannot be avoided. These are:

- Impairment of hearing
- Risk of personal injury due flying particles.
- Risk of burns due to accessories becoming hot during operation.
- Risk of personal injury due to prolonged use.
- Risk of dust from hazardous substances.

ELECTRICAL SAFETY



Your tool is double insulated; therefore no earth wire is required. Always check that the main voltage corresponds to the voltage on the rating plate.



WARNING! If the power cord is damaged, it must be replaced by the manufacturer, authorized STANLEY Service Center or an equally qualified person in order to avoid damage or injury. If the power cord is replaced by an equally qualified person, but not authorized by STANLEY, the warranty will not be valid.

ADDITIONAL SAFETY INSTRUCTIONS FOR CIRCULAR SAWS

- **Wear ear protectors.** Exposure to noise can cause hearing loss.
- **Wear a dust mask.** Exposure to dust particles can cause breathing difficulty and possible injury.
- **Do not use blades of larger or smaller diameter than recommended.** For the proper blade rating refer to the technical data. Use only the blades specified in this manual, complying with EN 847-1.
- **Never use abrasive cut-off and diamond wheels.** Do not cut concrete, brick, steel or other hard materials.
- **Do not use water feed attachments.**
- **Use clamps or another practical way to secure and support the workpiece to a stable platform.** Holding the work by hand or against your body leaves it unstable and may lead to loss of control.
- **Do not use this saw as a table saw.**

USING AN EXTENSION CABLE

If an extension cable is required, use an approved 3-core extension cable suitable for the power input of this tool (see Technical Data). The minimum conductor size is 1.5 mm²; the maximum length is 30 m. When using a cable reel, always unwind the cable completely.

Cable cross-sectional area (mm ²) Cable rated current (Ampere)	Cable cross-sectional area (mm ²) Cable rated current (Ampere)
0.75	6
1.00	10
1.50	15
2.50	20
4.00	25

Additional safety information



WARNING: We recommend the use of a residual current device with a residual current rating of 30mA or less.

SAFETY OF OTHERS










- This tool is not intended for use by persons (including children) with reduced physical, sensory or mental capabilities, or lack of experience and knowledge, unless they have been given supervision or instruction

Cable length (m)						
	7.5	15	25	30	45	60

Voltage	Amperes	Cable rated current (Ampere)					
110-127	0 - 2.0	6	6	6	6	6	10
	2.1 - 3.4	6	6	6	6	15	15
	3.5 - 5.0	6	6	10	15	20	20
	5.1 - 7.0	10	10	15	20	20	25
	7.1 - 12.0	15	15	20	25	25	-
220-240	12.1 - 20.0	20	20	25	-	-	-
	0 - 2.0	6	6	6	6	6	6
	2.1 - 3.4	6	6	6	6	6	6
	3.5 - 5.0	6	6	6	6	10	15
	5.1 - 7.0	10	10	10	10	15	15
7.1 - 12.0	15	15	15	15	20	20	
	12.1 - 20.0	20	20	20	20	25	-

LABELS ON TOOL

The label on your tool may include the following symbols:

	must read the instruction manual before use. WARNING! To reduce the risk of injury, the user		
	Wear safety glasses or goggles.		
	Wear ear protection.		
	Wear a dust mask.		
V	Volts		Direct Current
A	Amperes	n_0	No-Load Speed
Hz	Hertz		Class II Construction
W	Watts		Earthing Terminal
min	minutes		Safety Symbol Alert Symbol
	Alternating Current	/min.	Revolutions or Reciprocation per minute

Position of date code

The Date Code, which also includes the year of manufacture, is printed into the housing.

Example:

2017 XX JN
Year of manufacturing

PACKAGE CONTAINS

- 1 Circular saw
- 1 Circular saw blade
- 1 Blade wrench
- 1 Parallel fence
- 1 Dust extraction spout
- 1 Instruction manual
- Check for damage to the tool, parts or accessories which may have occurred during transport.
- Take the time to thoroughly read and understand this manual prior to operation.

FEATURES (Fig A)

WARNING: Never modify the power tool or any part of it. Damage or personal injury could result.

- a. Trigger switch
- b. Main handle
- c. Blade lock
- d. End cap
- e. Auxiliary handle
- f. Bevel adjustment knob
- g. Bevel angle adjustment mechanism
- h. Base plate
- i. Lower blade guard
- j. Blade clamping screw
- k. Lower guard lever
- l. Upper blade guard
- m. Lock-off button



WARNING: These heavy-duty circular saws are designed for professional wood cutting applications. DO NOT use water feed attachments with this saw. DO NOT use abrasive wheels or blades. DO NOT use under wet conditions or in the presence of flammable liquids or gases. Do not use diamond wheels.

These heavy-duty saws are professional power tools. DO NOT let children come into contact with the tool. Supervision is required when inexperienced operators use this tool.

- This product is not intended for use by persons (including children) suffering from diminished physical, sensory or mental abilities; lack of experience, knowledge or skills unless they are supervised by a person responsible for their safety. Children should never be left alone with this product.

BEFORE USE

- Before using the tool for the first time, it is recommended to receive practical information.
- Always check that the supply voltage is the same as the voltage indicated on the nameplate of the tool.
- Use suitable detectors to find hidden utility lines or call the local utility company for assistance/contact

with electric lines can lead to fire or electrical shock; damaging a gas line can result in an explosion; penetrating a water pipe will cause property damage or an electrical shock).

- Do not work materials containing asbestos (asbestos is considered carcinogenic).
- Dust from material such as paint containing lead, some wood species, minerals and metal may be harmful (contact with or inhalation of the dust may cause allergic reactions and/or respiratory diseases to the operator or bystanders); wear a dust mask and work with a dust extraction device when connectable.
- Certain kinds of dust are classified as carcinogenic (such as oak and beech dust) especially in conjunction with additives for wood conditioning; wear a dust mask and work with a dust extraction device when connectable.
- Follow the dust-related national requirements for the materials you want to work with.
- Do not clamp the tool in a vice.
- Use completely unrolled and safe extension cords with a capacity of 16 Amps.

AFTER USE

- After switching off the tool, never stop the rotation of the accessory by a lateral force applied against it.

ASSEMBLY AND ADJUSTMENT



WARNING: To reduce the risk of serious personal injury, turn tool off and disconnect tool from power source before making any adjustments or removing/installing attachments or accessories. Before reconnecting the tool, depress and release the trigger switch to ensure that the tool is off. An accidental start-up can cause injury.

CHANGING BLADES



CAUTION: The inner flange has a 20 mm diameter on one side and a 30 mm diameter on the other. The side with 30mm diameter is marked by "30", and the other side with 20mm diameter marked by "20". Use the correct side for the hole diameter of the blade you intend to use. Mounting the blade on the wrong side can result in the dangerous vibration.

To install the blade (Fig A-D)

1. Using the lower guard lever (k), retract the lower blade guard (i) and place blade on saw spindle against the inner clamp washer (o), making sure that the blade will rotate in the proper direction (the direction of the rotation arrow on the saw blade and the teeth must point in the same direction as the direction of rotation arrow on the saw). Do not assume that the printing on the blade will always be facing you when properly installed. When retracting the lower blade guard to install the blade, check the condition and operation of the lower blade guard to assure that it is working properly. Make sure it moves freely and does not touch the blade or any other part, in all angles and depths of cut.
2. Place outer clamp washer (n) on saw spindle with the large flat surface against the blade and the wording on the outer clamp washer facing you.

3. Thread blade clamping screw (j) into saw spindle by hand (screw has right-hand threads and must be turned clockwise to tighten).
4. Depress the blade lock (c) while turning the saw spindle with the blade wrench until the blade lock engages and the blade stops rotating.
5. Tighten the blade clamping screw firmly with the blade wrench (s).

NOTE: Never engage the blade lock while saw is running, or engage in an effort to stop the tool. Never turn the saw on while the blade lock is engaged. Serious damage to your saw will result.

To replace the blade (Fig B-D)

1. To loosen the blade clamping screw (j), depress the blade lock (c) and turn the saw spindle with the blade wrench (s) until the blade lock engages and the blade stops rotating. With the blade lock engaged, turn the blade clamping screw counterclockwise with the blade wrench (screw has right-hand threads and must be turned counterclockwise to loosen).
2. Remove the blade clamping screw (j) and outer clamp washer (n). Remove old blade.
3. Clean any saw dust that may have accumulated in the guard or clamp washer area and check the condition and operation of the lower blade guard as previously outlined. Do not lubricate this area.
4. Always use blades that are the correct size (diameter) with the proper size and shape center hole for mounting on the saw spindle. Always assure that the maximum recommended speed (rpm) on the saw blade meets or exceeds the speed (rpm) of the saw.
5. Follow steps 1 through 5 under To Install the Blade, making sure that the blade will rotate in the proper direction.

LOWER BLADE GUARD



WARNING: The lower blade guard is a safety feature which reduces the risk of serious personal injury. Never use the saw if the lower guard is missing, damaged, misassembled or not working properly. Do not rely on the lower blade guard to protect you under all circumstances. Your safety depends on following all warnings and precautions as well as proper operation of the saw. Check lower guard for proper closing before each use. If the lower blade guard is missing or not working properly, have the saw serviced before using. To assure product safety and reliability, repair, maintenance and adjustment should be performed by an authorized service center or other qualified service organization, always using identical replacement parts.



WARNING: Never use the saw whose lower guard kept opening by adding a wedge, string, rubber band, or other materials. USE

Checking the lower guard (Fig A)

1. Turn tool off and disconnect from power supply.
2. Rotate the lower guard lever (k) from the fully closed position to the fully open position.
3. Release the lever and observe the lower guard (i) return to the fully closed position.

The tool should be serviced by a qualified service center if it:

- fails to return to the fully closed position,

- moves intermittently or slowly, or
- contacts the blade or any part of the tool in all angles and depth of cut.

Blades



WARNING: To minimize the risk of eye injury, always use eye protection. Carbide is a hard but brittle material. Foreign objects in the workpiece such as wire or nails can cause tips to crack or break. Only operate saw when proper saw blade guard is in place. Mount blade securely in proper rotation before using, and always use clean, sharp blade.

If you need assistance regarding blades, please contact your local STANLEY dealer.

Depth of cut adjustment (Fig E-G)

1. Raise the depth adjustment lever (p) to loosen.
2. To obtain the correct depth of cut, align the notch (q) on the depth adjustment strap with the appropriate mark on the upper blade guard (l).
3. Tighten the depth adjustment lever
4. For the most efficient cutting action using a carbide tipped saw blade, set the depth adjustment so that about one half of a tooth projects below the surface of the wood to be cut.
5. A method of checking for the correct cutting depth is shown in Figure G. Lay a piece of the material you plan to cut along the side of the blade, and observe how much tooth projects beyond the material.

Bevel angle adjustment (Fig H)

The bevel angle adjustment mechanism (g) can be adjusted between 0° and 45°.

1. Turn the bevel adjustment knob (f) to loosen.
2. Tilt the foot plate to the desired angle mark on the pivot bracket (u).
3. Turn the bevel adjustment knob to retighten.

Kerf indicator (Fig I)

The front of the saw shoe has a kerf indicator (t) for vertical and bevel cutting. This indicator enables you to guide the saw along cutting lines penciled on the material being cut. The indicator lines up with the left (inner) side of the saw blade, which makes the slot or "kerf" cut by the moving blade fall to the right of the indicator. The notches on the base plate indicate 0° and 45°.

Mounting and adjusting the parallel fence (Fig J)

The parallel fence (w) is used for cutting parallel to the edge of the workpiece.

Mounting (Fig J-K)

1. Insert parallel fence adjustment knob (x) into the hole (aa) as shown in Figure J, keeping the knob loose to allow the parallel fence to pass.
2. Insert the parallel fence (w) into the base plate(h) as shown in Figure J.
3. Tighten the parallel fence adjustment knob (x).

Adjusting

1. Slacken the fence adjustment knob (x) and set the parallel fence (w) to the desired width. The adjustment can be read on the parallel fence scale.
2. Tighten the fence adjustment knob (x).

Prior to operation

- Make sure the guards have been mounted correctly. The saw blade guard must be in closed position.
- Make sure the saw blade rotates in the direction of the arrow on the blade.
- Do not use excessively worn saw blades.

USE

Instructions for use



WARNING: Always observe the safety instructions and applicable regulations.



WARNING: To reduce the risk of injury, turn unit off and disconnect machine from power source before installing and removing accessories, before adjusting or changing set-ups or when making repairs. An accidental start-up can cause injury.

Proper hand position (Fig K)



WARNING: To reduce the risk of serious personal injury, **ALWAYS** use proper hand position as shown.



WARNING: To reduce the risk of serious personal injury, **ALWAYS** hold securely in anticipation of a sudden reaction.

Proper hand position requires one hand on the main handle (b), with the other hand on the auxiliary handle (e).

Switching on and off (safety switch)(Fig A)

If your saw is equipped with a safety switch to prevent inadvertent operation, please follow the below instruction.

To run the tool, press the lock-off button (m) and subsequently press the ON/OFF-switch (a). Release the lock-off button (m).

To stop the tool, release the ON/OFF-switch (a). Always switch OFF the tool when work is finished and before unplugging.

NOTICE: Do not switch the tool ON or OFF when the saw blade touches the workpiece or other materials.

Workpiece support (Fig L-P)



WARNING: To reduce the risk of serious personal injury, support the work properly and hold the saw firmly to prevent loss of control.

Figures M and O show proper sawing position. Figures N and P show an unsafe condition. Hands should be kept away from cutting area, and power cord is positioned clear of the cutting area so that it will not get caught or hung up on the work.

To avoid kickback, **ALWAYS** support board or panel NEAR the cut, (Fig M and O). **DON'T** support board or panel away from the cut (Fig N and P).

When operating the saw, keep the cord away from the cutting area and prevent it from becoming hung up on the work piece.

ALWAYS DISCONNECT SAW BEFORE MAKING ANY ADJUSTMENTS! Place the work with its "good" side—the one on which appearance is most important—down. The saw cuts upward, so any splintering will be on the work face that is up when you saw it.

Cutting



WARNING: Never attempt to use this tool by resting it upside down on a work surface and bringing the material to the tool. Always securely clamp the workpiece and bring the tool to the workpiece, securely holding the tool with two hands as shown in Figure P. Place the wider portion of the saw foot plate on that part of the work piece which is solidly supported, not on the section that will fall off when the cut is made. As examples, Figure P illustrates the **RIGHT** way to cut off the end of a board. Always clamp work. Don't try to hold short pieces by hand! Remember to support cantilevered and overhanging material. Use caution when sawing material from below.

Be sure saw is up to full speed before blade contacts material to be cut. Starting saw with blade against material to be cut or pushed forward into kerf can result in kickback.

Push the saw forward at a speed which allows the blade to cut without laboring. Hardness and toughness can vary even in the same piece of material, and knotty or damp sections can put a heavy load on the saw. When this happens, push the saw more slowly, but hard enough to keep working without much decrease in speed. Forcing the saw can cause rough cuts, inaccuracy, kickback, and overheating of the motor. Should your cut begin to go off the line, don't try to force it back on. Release the switch and allow blade to come to a complete stop. Then you can withdraw the saw, sight anew, and start a new cut slightly inside the wrong one. In any event, withdraw the saw if you must shift the cut. Forcing a correction inside the cut can stall the saw and lead to kickback.

IF SAW STALLS, RELEASE THE TRIGGER AND BACK THE SAW UNTIL IT IS LOOSE. BE SURE BLADE IS STRAIGHT IN THE CUT AND CLEAR OF THE CUTTING EDGE BEFORE RESTARTING.

As you finish a cut, release the trigger and allow the blade to stop before lifting the saw from the work. As you lift the saw, the spring-tensioned telescoping guard will automatically close under the blade. Remember the blade is exposed until this occurs.

Never reach under the work for any reason. When you have to retract the telescoping guard manually (as is necessary for starting pocket cuts) always use the retracting lever.

NOTE: When cutting thin strips, be careful to ensure that small cutoff pieces don't hang up on inside of lower guard.

Ripping

Ripping is the process of cutting wider boards into narrower strips – cutting grain lengthwise. Hand guiding is more difficult for this type of sawing and the use of a STANLEY parallel fence (w) is recommended.

Pocket cutting (Fig O)



WARNING: Never tie the blade guard in a raised position. Never move the saw backwards when pocket cutting. This may cause the unit to raise

up off the work surface which could cause injury.

A pocket cut is one that is made in a floor, wall or other flat surface.

1. Adjust the saw foot plate so the blade cuts at desired depth.
2. Tilt the saw forward and rest front of the foot plate on material to be cut.
3. Using the lower guard lever, retract lower blade guard to an upward position. Lower rear of foot plate until blade teeth almost touch cutting line.
4. Release the blade guard (its contact with the work will keep it in position to open freely as you start the cut). Remove hand from guard lever and firmly grip auxiliary handle (e), as shown in Figure P. Position your body and arm to allow you to resist kickback if it occurs.
5. Make sure the cutting surface before starting saw.
6. Start the motor and gradually lower the saw until its foot plate rests flat on the material to be cut. Advance saw along the cutting line until cut is completed.
7. Release trigger and allow blade to stop completely before withdrawing the blade from the material.
8. When starting each new cut, repeat as above.

Mounting the dust extraction spout (Fig A, E, Q)

Your SC16 circular saw is supplied with a dust extraction spout.

To Install dust extraction spout (Fig Q)

1. Fully loosen depth adjustment lever (Fig E, p).
2. Place base plate (Fig A, h) in the lowest position.
3. Align the two halves of the dust extraction spout (y) over upper blade guard (l) as shown.
4. Insert screws and tighten securely.

Dust extraction (Fig R)



WARNING: Risk of dust inhalation. To reduce the risk of personal injury, ALWAYS wear an approved dust mask.

A dust extraction spout (y) is supplied with your tool. Vacuum hoses of most common vacuum extractors will fit directly into the dust extraction spout.



WARNING: ALWAYS use a vacuum extractor designed in compliance with the applicable directives regarding dust emission when sawing wood. Vacuum hoses of most common vacuum cleaners will fit directly into the dust extraction outlet.

MAINTENANCE

Your STANLEY power tool has been designed to operate over a long period of time with a minimum of maintenance. Continuous satisfactory operation depends upon proper tool care and regular cleaning.

- Regularly clean the ventilation slots in your tool using a soft brush or dry cloth.
- Regularly clean the motor housing using a damp cloth. Do not use any abrasive or solvent-based cleaner. This machine is not user-serviceable. If problems occur contact an authorised repair agent.

Prior to operation

- Make sure the guards have been mounted correctly. The saw blade guard must be in closed position.
- Make sure the saw blade rotates in the direction of the arrow on the blade.
- Do not use excessively worn saw blades.

**Lubrication**

Your power tool requires no additional lubrication.

**Cleaning**

WARNING: Blow dirt and dust out of the main housing with dry air as often as dirt is seen collecting in and around the air vents. Wear approved eye protection and approved dust mask when performing this procedure.



WARNING: Never use solvents or other harsh chemicals for cleaning the non-metallic parts of the tool. These chemicals may weaken the materials used in these parts. Use a cloth dampened only with water and mild soap. Never let any liquid get inside the tool; never immerse any part of the tool into a liquid.

To maintain products SAFETY and RELIABILITY, repair, carbon brush inspection and replacement, any other maintenance or adjustment should be performed by STANLEY Service Centers, always using Stanley replacement parts.

Lower guard

The lower guard should always rotate and close freely from a fully open to fully closed position. Always check for correct operation before cutting by fully opening the guard and letting it close. If the guard closes slowly or not completely it will need cleaning or servicing. Do not use the saw until it functions correctly. To clean the guard, use dry air or a soft brush to remove all accumulated sawdust or debris from the path of the guard and from around the guard spring. Should this not correct the problem, it will need to be serviced by an authorized service center.

Blades

A dull blade will cause inefficient cutting, overload on the saw motor, excessive splintering and increase the possibility of kickback. Change blades when it is no longer easy to push the saw through the cut, when the motor is straining, or when excessive heat is built up in the blade. It is a good practice to keep extra blades on hand so that sharp blades are available for immediate use. Dull blades can be sharpened in most areas.

Hardened gum on the blade can be removed with kerosene, turpentine, or oven cleaner. Anti-stick coated blades can be used in applications where excessive buildup is encountered, such as pressure treated and green lumber.

ACCESSORIES

WARNING: Since accessories, other than those offered by STANLEY, have not been tested with this product, use of such accessories with this tool could be hazardous. To reduce the risk of injury, only STANLEY, recommended accessories should be used with this product.

Consult your dealer for further information on the appropriate accessories.

PROTECTING THE ENVIRONMENT

Separate collection. This product must not be disposed of with normal household waste.

Should you find one day that your STANLEY product needs replacement, or if it is of no further use to you, do not dispose of it with household waste. Make this product available for separate collection.



STANLEY provides a facility for the collection and recycling of STANLEY products once they have reached the end of their working life. To take advantage of this service please return your product to any authorised repair agent who will collect them on our behalf.

You can check the location of your nearest authorised repair agent by contacting your local STANLEY office at the address indicated in this manual. Alternatively, a list of authorised STANLEY repair agents and full details of our after-sales service and contacts are available on the Internet at: www.2helpU.com.

NOTES

STANLEY's policy is one of continuous improvement to our products and as such, we reserve the right to change product specifications without prior notice. Standard equipment and accessories may vary by country. Product specifications may differ by country. Complete product range may not be available in all countries. Contact your local STANLEY dealers for range availability

SERVICE INFORMATION

STANLEY offers a full network of company-owned and authorized service locations. All STANLEY Service Centers are staffed with trained personnel to provide customers with efficient and reliable power tool service. For more information about our authorized service centers and if you need technical advice, repair, or genuine factory replacement parts, contact the STANLEY location nearest you.

TECHNICAL DATA

CIRCULAR SAW		SC16
Voltage	V_{AC}	220~240
Frequency	Hz	50-60
Power input	W	1600
Rated no-load speed	min ⁻¹	5500
Maximum blade diameter	mm	190
Maximum depth of cut at	90°	65
	45°	50
Blade bore	mm	20 / 30
Bevel angle adjustment	mm	45°
Weight	kg	3.90

Level of sound pressure according to EN 62841:

Sound pressure (L_{pA})	dB(A)	91.6
Sound pressure uncertainty (K_{pA})	dB(A)	3
Sound power (L_{WA})	dB(A)	102.6
Sound power uncertainty (K_{WA})	dB(A)	3

Vibration emission value ah:

(ah) =	m/s^2	<2.5
Uncertainty (K) =	m/s^2	1.5

VIBRATION AND NOISE

The declared vibration and noise emission values stated in the technical data and the declaration of conformity have been measured in accordance with a standard test method provided by EN 62841 and may be used for comparing one tool with another. The declared vibration and noise emission value may also be used in a preliminary assessment of exposure.



WARNING! The vibration and noise emission value during actual use of the power tool can differ from the declared value depending on the ways in which the tool is used. The vibration and noise level may increase above the level stated.

When assessing vibration and noise exposure to determine safety measures required by 2002/44/EC to protect persons regularly using power tools in employment, an estimation of vibration and noise exposure should consider, the actual conditions of use and the way the tool is used, including taking account of all parts of the operating cycle such as the times when the tool is switched off and when it is running idle in addition to the trigger time.

EC declaration of conformity

MACHINERY DIRECTIVE



SC16 - Circular Saw

STANLEY declares that these products described under "technical data" are in compliance with: 2006/42/EC, EN 62841-1: 2015, EN 62841-2-5: 2014.

These products also comply with Directive 2014/30/EU and 2011/65/EU. For more information, please contact STANLEY at the following address or refer to the back of the manual.

The undersigned is responsible for compilation of the technical file and makes this declaration on behalf of STANLEY.

R. Laverick

Engineering Manager

STANLEY, Europe, Egide Walschaertsstraat14-18,
2800 Mechelen, Belgium
08.2018

TWO YEAR WARRANTY

If your STANLEY product becomes defective due to faulty materials or workmanship within 24 months from the date of purchase, STANLEY guarantees to replace all defective parts

free of charge or – at our discretion – replace the unit free of charge provided that:

- The product has not been misused and has been used in accordance with the instruction manual;
- The product has been subject to fair wear and tear;
- Repairs have not been attempted by unauthorized persons;
- Proof of purchase is produced;
- The STANLEY product is returned complete with all original components;
- The product hasn't been used for hire purposes.

If you wish to make a claim, contact your seller or check the location of your nearest authorised STANLEY repair agent in the STANLEY catalogue or contact your local STANLEY office at the address indicated in this manual. A list of authorised STANLEY repair agents and full details of our after sales service is available on the internet at: www.2helpU.com

НАЗНАЧЕНИЕ

Ваша дисковая пила STANLEY SC16 предназначена для распиливания древесины. Данный инструмент предназначен для профессионального использования.

ИНСТРУКЦИИ ПО ТЕХНИКЕ БЕЗОПАСНОСТИ

Следующие определения указывают на степень важности каждого сигнального слова. Прочтите руководство по эксплуатации и обратите внимание на данные символы.



ОПАСНО: Означает чрезвычайно опасную ситуацию, которая приводит к смертельному исходу или получению тяжёлой травмы.



ВНИМАНИЕ: Означает потенциально опасную ситуацию, которая может привести к смертельному исходу или получению тяжёлой травмы.



ПРЕДУПРЕЖДЕНИЕ: Означает потенциально опасную ситуацию, которая может привести к получению травмы лёгкой или средней тяжести.

ПРЕДОСТЕРЕЖЕНИЕ: Означает ситуацию, не связанную с получением телесной травмы, которая, однако, может привести к повреждению инструмента.



Риск поражения электрическим током!



Огнеопасность!



ВНИМАНИЕ: Внимательно прочтите руководство по эксплуатации для снижения риска получения травмы.

ПРАВИЛА БЕЗОПАСНОСТИ

Общие правила безопасности при работе с электроинструментами



ВНИМАНИЕ! Внимательно прочтите все инструкции по использованию, правила безопасности, спецификации, а также рассмотрите все иллюстрации, входящие в руководство по эксплуатации данного электроинструмента. Несоблюдение всех перечисленных ниже инструкций может привести к поражению электрическим током, возникновению пожара и/или получению серьёзной травмы.

Сохраните все инструкции по безопасности и руководство по эксплуатации для их дальнейшего использования. Термин «Электроинструмент» во всех приведённых ниже указаниях относится к вашему сетевому (с кабелем) электроинструменту или аккумуляторному (беспроводному) электроинструменту.

1. Безопасность рабочего места

- Содержите рабочее место в чистоте и обеспечьте хорошее освещение. Плохое

освещение или беспорядок на рабочем месте может привести к несчастному случаю.

- Не используйте электроинструменты, если есть опасность возгорания или взрыва, например, вблизи легко воспламеняющихся жидкостей, газов или пыли. В процессе работы электроинструменты создают искровые разряды, которые могут воспламенить пыль или горючие пары.
- Во время работы с электроинструментом не подпускайте близко детей или посторонних лиц. Отвлечение внимания может вызвать у Вас потерю контроля над рабочим процессом.

2. Электробезопасность

- Вилка кабеля электроинструмента должна соответствовать штепсельной розетке. Ни в коем случае не видоизменяйте вилку электрического кабеля. Не используйте соединительные штепсели-переходники, если в силовом кабеле электроинструмента есть провод заземления. Использование оригинальной вилки кабеля и соответствующей ей штепсельной розетки уменьшает риск поражения электрическим током.
- Во время работы с электроинструментом избегайте физического контакта с заземлёнными объектами, такими как трубопроводы, радиаторы отопления, электроплиты и холодильники. Риск поражения электрическим током увеличивается, если Ваше тело заземлено.
- Не используйте электроинструмент под дождем или во влажной среде. Попадание воды в электроинструмент увеличивает риск поражения электрическим током.
- Бережно обращайтесь с электрическим кабелем. Ни в коем случае не используйте кабель для переноски электроинструмента или для вытягивания его вилки из штепсельной розетки. Не подвергайте электрический кабель воздействию высоких температур и смазочных веществ; держите его в стороне от острых кромок и движущихся частей электроинструмента. Повреждённый или запутанный кабель увеличивает риск поражения электрическим током.
- При работе с электроинструментом на открытом воздухе используйте удлинительный кабель, предназначенный для наружных работ. Использование кабеля, пригодного для работы на открытом воздухе, снижает риск поражения электрическим током.
- При необходимости работы с электроинструментом во влажной среде используйте источник питания, оборудованный устройством защитного отключения (УЗО). Использование УЗО снижает риск поражения электрическим током.

3. Личная безопасность

- При работе с электроинструментами

будьте внимательны, следите за тем, что Вы делаете, и руководитесь здравым смыслом. Не используйте электроинструмент, если Вы устали, а также находясь под действием алкоголя или понижающих реакцию лекарственных препаратов и других средств. Малейшая неосторожность при работе с электроинструментами может привести к серьёзной травме.

- b. При работе используйте средства индивидуальной защиты. Всегда надевайте защитные очки.** Своевременное использование защитного снаряжения, а именно: пылезащитной маски, ботинок на нескользящей подошве, защитного шлема или противозумовых наушников, значительно снизит риск получения травмы.
- c. Не допускайте непреднамеренного запуска.** Перед тем, как подключить электроинструмент к сети и/или аккумулятору, поднять или перенести его, убедитесь, что выключатель находится в положении «выключено». Не переносите электроинструмент с нажатым курковым выключателем и не подключайте к сетевой розетке электроинструмент, выключатель которого установлен в положение «включено», это может привести к несчастному случаю.
- d. Перед включением электроинструмента снимите с него все регулировочные или гаечные ключи.** Регулировочный или гаечный ключ, оставленный закреплённым на вращающейся части электроинструмента, может стать причиной получения тяжёлой травмы.
- e. Работайте в устойчивой позе. Всегда твёрдо стойте на ногах, сохраняя равновесие.** Это позволит Вам не потерять контроль при работе электроинструментом в непредвиденной ситуации.
- f. Одевайтесь соответствующим образом. Во время работы не надевайте свободную одежду или украшения.** Следите за тем, чтобы Ваши волосы или одежда находились в постоянном отдалении от движущихся частей инструмента. Свободная одежда, украшения или длинные волосы могут попасть в движущиеся части инструмента.
- g. Если электроинструмент снабжён устройством сбора и удаления пыли, убедитесь, что данное устройство подключено и используется надлежащим образом.** Использование устройства пылеудаления значительно снижает риск возникновения несчастного случая, связанного с запылённостью рабочего пространства.
- h. Даже если Вы являетесь опытным пользователем и часто используете подобные инструменты, не позволяйте себе расслабляться и игнорировать правила безопасности при использовании инструментов.** Неосторожность и невнимательность при работе могут привести к тяжёлым травмам за доли секунды.

4. Использование электроинструментов и технический уход


- a. Не перегружайте электроинструмент.** Используйте Ваш инструмент по назначению. Электроинструмент работает надёжно и безопасно только при соблюдении параметров, указанных в его технических характеристиках.
 - b. Не используйте электроинструмент, если его выключатель не устанавливается в положение включения или выключения.** Электроинструмент с неисправным выключателем представляет опасность и подлежит ремонту.
 - c. Отключайте электроинструмент от сетевой розетки и/или извлекайте аккумулятор (если имеется) перед регулировкой, заменой принадлежностей или при хранении электроинструмента.** Такие меры предосторожности снижают риск случайного включения электроинструмента.
 - d. Храните электроинструменты неиспользуемые электроинструменты в недоступном для детей месте и не позволяйте лицам, не знакомым с электроинструментом или данными инструкциями, работать с электроинструментом.** Электроинструменты представляют опасность в руках неопытных пользователей.
 - e. Регулярно проверяйте исправность электроинструмента и дополнительных принадлежностей.** Проверяйте точность совмещения и легкость перемещения подвижных частей, целостность деталей и любых других элементов электроинструмента, воздействующих на его работу. Не используйте неисправный электроинструмент, пока он не будет полностью отремонтирован. Большинство несчастных случаев являются следствием недостаточного технического ухода за электроинструментом.
 - f. Следите за остротой заточки и чистотой режущих принадлежностей.** Принадлежности с острыми кромками позволяют избежать заклинивания и делают работу менее утомительной.
 - g. Используйте электроинструмент, аксессуары и насадки в соответствии с данным Руководством по эксплуатации и с учётом рабочих условий и характера будущей работы.** Использование электроинструмента не по назначению может создать опасную ситуацию.
 - h. Следите, чтобы рукоятки и поверхности захвата оставались сухими, чистыми и не содержали следов масла и консистентной смазки.** Скользкие рукоятки и поверхности захвата не обеспечивают безопасное обращение и управление инструментом в неожиданных ситуациях.
- #### 5. Техническое обслуживание
- a. Ремонт Вашего электроинструмента должен производиться только квалифицированными специалистами с**

использованием идентичных запасных частей. Это обеспечит безопасность Вашего электроинструмента в дальнейшей эксплуатации.

ДОПОЛНИТЕЛЬНЫЕ СПЕЦИАЛЬНЫЕ ПРАВИЛА БЕЗОПАСНОСТИ

Правила безопасности при работе пилами любого типа

Меры предосторожности при пилении

- a.**  **ОПАСНО! Держите руки на расстоянии от зоны пиления и пильного диска. Одной рукой удерживайте дополнительную рукоятку или корпус двигателя.** Удерживание пилы обеими руками исключает риск пореза диском.

ПРИМЕЧАНИЕ: К дисковым пилам с дисками диаметром максимум 140 мм или менее, фраза «Одной рукой удерживайте дополнительную рукоятку или корпус двигателя» не применима.

- b.** Не кладите руки под заготовку. Защитный кожух не защищает ваши руки от диска, если они находятся под заготовкой.
- c.** Настройте глубину пропила в соответствии с толщиной заготовки. Зуб диска должен выступать ниже заготовки почти на полную высоту.
- d.** При распиле не удерживайте заготовку в руках или на коленях. Закрепляйте заготовку на устойчивой упорной поверхности. Чтобы свести к минимуму получение травмы, заклинивание диска или потерю контроля очень важно обеспечить правильную опору для заготовки.
- e.** Держите инструмент за изолированные ручки при выполнении операций, во время которых режущая насадка может соприкоснуться со скрытой проводкой. Контакт диска с находящимся под напряжением проводом делает не покрытие изоляцией металлические части электроинструмента также «живыми», что создаёт опасность поражения оператора электрическим током.
- f.** При выполнении продольного распила всегда используйте направляющий упор или прямую направляющую для кромки. Это повысит точность распила и снизит риск заклинивания диска.
- g.** Всегда используйте диски правильного размера и формы с посадочными отверстиями. Диски, не соответствующие установочной фурнитуре пилы, при движении сместятся, что приведёт к потере контроля над инструментом.
- h.** Никогда не используйте повреждённые или неправильного размера шайбы или болты диска. Шайбы и болты диска были специально разработаны для вашей пилы в целях повышения производительности и безопасности при использовании.

Дополнительные инструкции по безопасности

Дополнительные правила безопасности при работе пилами любого типа

- Причины обратного удара и меры по его предотвращению
- Обратный удар является внезапной реакцией на защемление, зажимание или смещение пильного диска, что приводит к неконтролируемому подъёму пилы из обрабатываемой детали в направлении оператора;
- При зажатии или защемлении диска в заготовке, он останавливается, и реакция электродвигателя приведёт к внезапному смещению инструмента в направлении или в сторону от оператора;
- При перекручивании или смещении диска в пропиле зуб с заднего края диска может врезаться в поверхность заготовки, что приведёт к резкому поднятию диска из пластины для пропила и отскакиванию в сторону оператора.

Обратный удар является результатом использования пилы не по назначению и/или неправильных действий оператора и условий работы, и его можно избежать, соблюдая следующие меры безопасности:

- a.** Крепко держите пилу обеими руками и следите за положением тела и рук, чтобы эффективно противостоять воздействию обратного удара. Стойте сбоку от диска, и никогда на одной линии с диском. Обратный удар может стать причиной резкого отскакивания пилы назад, но при соблюдении соответствующих мер предосторожности оператор может контролировать силу обратного удара.
- b.** В случае заклинивания диска или в случае прекращения процесса резки по любой причине, отпустите клавишу выключателя и удерживайте пилу неподвижно в обрабатываемой детали до полной остановки диска. Никогда не пытайтесь извлечь пилу из обрабатываемой детали или вытянуть её назад, пока вращается диск - это может привести к обратному удару. Выясните причину заклинивания диска и примите надлежащие меры по её устранению.
- c.** При перезапуске пилы в детали отцентрируйте пильный диск в пропиле и убедитесь в том, что зубья пилы не касаются материала. Если пильный диск заклинен, то при повторном запуске пилы он может подскочить из детали вверх или ударить назад.
- d.** Для сведения к минимуму риска заклинивания диска и возникновения обратного удара, поддерживайте заготовки большого размера. Большие заготовки имеют тенденцию прогибаться под тяжестью собственного веса. Устанавливайте опоры под заготовкой по обе стороны от диска, около линии реза и краёв заготовки.
- e.** Не используйте тупые или повреждённые пильные диски. Тупые или неправильно

разведённые пыльные диски производят узкий пропил, что приводит к повышенному трению, заклиниванию диска и образованию обратного удара.

- f. **Рычаги настройки глубины пропила и угла наклона перед началом работы должны быть затянуты и зафиксированы.** В случае сбоя настроек диска во время работы может произойти заклинивание и обратный удар.
- g. **Будьте особенно внимательны при сквозном врезании в стены и другие сплошные поверхности.** Выдвигаемый диск может разрезать скрытые объекты, что приведёт к образованию обратного удара.

Правила безопасности для нижнего защитного кожуха

- a. **Перед каждым использованием проверяйте, правильно ли закрыт нижний защитный кожух.** Не используйте пилу, если нижний защитный кожух не перемещается свободно и не закрывает диск постоянно. Никогда не зажимайте и не подвзвывайте нижний защитный кожух в открытом положении. При случайном падении пилы нижний защитный кожух может погнуться. Поднимите нижний защитный кожух при помощи втягивающей рукоятки и убедитесь в том, что кожух перемещается свободно и не прикасается к диску или другим деталям при любых углах и глубине пиления.
- b. **Проверьте функционирование и состояние возвратной пружины нижнего защитного кожуха.** Если защитный кожух и пружина не работают нормально, перед использованием необходимо выполнить их текущий ремонт. Нижний защитный кожух может перемещаться замедленно из-за повреждения деталей, отложения клейких веществ или скопления мусора.
- c. **Нижний защитный кожух следует втягивать вручную только при выполнении специальных разрезов, например, врезных и комбинированных распилов.** Поднимайте нижний защитный кожух при помощи втягивающей рукоятки, а когда диск прикоснется к материалу, нижний кожух следует опустить. Для всех других типов пиления нижний защитный кожух должен работать в автоматическом режиме.
- d. **Всегда следите за тем, чтобы нижний защитный кожух закрывал диск, прежде чем класть пилу на верстак или на пол.** Незащищённый диск во время выбега приведет к смещению инструмента назад и разрезанию всех находящихся на траектории его движения предметов. Помните о том, что после отпущения выключателя требуется некоторое время для полной остановки диска.

ДОПОЛНИТЕЛЬНЫЕ ПРАВИЛА БЕЗОПАСНОСТИ ПРИ РАБОТЕ ДИСКОВЫМИ ПИЛАМИ

- **Надевайте защитные наушники.** Воздействие шума может привести к потере слуха.
- **Надевайте защитную маску или респиратор.**

Вдыхание производственной пыли может стать причиной затрудненного дыхания и возможной травмы.

- **Не используйте диски меньшего или большего диаметра, чем рекомендовано.** См. скорость вращения дисков в разделе «Технические характеристики». Используйте только диски, указанные в данном руководстве и соответствующие стандарту EN 847-1.
- **Никогда не используйте абразивные отрезные или алмазные круги.** Не распиливайте бетон, кирпич, сталь или другие материалы.
- **Не используйте дополнительные приспособления подачи воды.**
- **Используйте струбцины или другие приспособления для фиксации обрабатываемой детали, устанавливая их только на неподвижной поверхности.** Если держать обрабатываемую деталь руками или с упором в собственное тело, то можно потерять контроль над инструментом или обрабатываемой деталью.
- **Не используйте данную пилу в качестве настольной пилы.**

Дополнительные инструкции по безопасности



ВНИМАНИЕ: Рекомендуется использование устройства защитного отключения с остаточным током 30 мА или менее.

БЕЗОПАСНОСТЬ ПОСТОРОННИХ ЛИЦ

- Данное изделие не может использоваться людьми (включая детей) со сниженными физическими, сенсорными и умственными способностями или при отсутствии необходимого опыта или навыка, за исключением, если они выполняют работу под присмотром лица, отвечающего за их безопасность.
- Не позволяйте детям играть с инструментом.

ОСТАТОЧНЫЕ РИСКИ

Несмотря на соблюдение соответствующих инструкций по технике безопасности и использование предохранительных устройств, некоторые остаточные риски невозможно полностью исключить. К ним относятся:

- Ухудшение слуха
- Риск получения травмы от разлетающихся частиц.
- Риск получения ожогов от принадлежностей и насадок, которые в процессе работы сильно нагреваются.
- Риск получения травмы, связанный с продолжительным использованием инструмента.
- Риск вдыхания пыли от опасных для здоровья веществ.

ЭЛЕКТРОБЕЗОПАСНОСТЬ

Данный инструмент защищён двойной изоляцией, что исключает потребность в заземляющем проводе. Всегда проверяйте, соответствует ли напряжение, указанное на табличке с техническими параметрами, напряжению электросети.



ВНИМАНИЕ! Во избежание повреждений или получения травмы, замена повреждённого кабеля питания должна производиться только на заводе-изготовителе, в авторизованном сервисном центре STANLEY или квалифицированным персоналом. При замене кабеля питания квалифицированным лицом, но не имеющим авторизацию STANLEY, гарантия на продукт будет недействительной.

ИСПОЛЬЗОВАНИЕ УДЛИНИТЕЛЬНОГО КАБЕЛЯ

При необходимости использования удлинительного кабеля, используйте только утверждённые 3-х жильные кабели промышленного изготовления, рассчитанные на мощность не меньшую, чем потребляемая мощность данного инструмента (см. раздел «Технические характеристики»). Минимальный размер проводника должен составлять 1,5 мм²; максимальная длина кабеля не должна превышать 30 м. При использовании кабельного барабана, всегда полностью разматывайте кабель.

Поперечное сечение проводника (мм ²) Номинал кабеля (Ампер)	Поперечное сечение проводника (мм ²) Номинал кабеля (Ампер)
0.75	6
1.00	10
1.50	15
2.50	20
4.00	25

Длина кабеля (м)

	7.5	15	25	30	45	60
--	-----	----	----	----	----	----

Напряжение	Ампер	Номинал кабеля (Ампер)					
110-127	0 - 2.0	6	6	6	6	6	10
	2.1 - 3.4	6	6	6	6	15	15
	3.5 - 5.0	6	6	10	15	20	20
	5.1 - 7.0	10	10	15	20	20	25
	7.1 - 12.0	15	15	20	25	25	-
220-240	12.1 - 20.0	20	20	25	-	-	-
	0 - 2.0	6	6	6	6	6	6
	2.1 - 3.4	6	6	6	6	6	6
	3.5 - 5.0	6	6	6	6	10	15
	5.1 - 7.0	10	10	10	10	15	15
7.1 - 12.0	15	15	15	15	20	20	
12.1 - 20.0	20	20	20	20	25	-	

МАРКИРОВКА ИНСТРУМЕНТА

На инструменте имеются следующие знаки:

	ВНИМАНИЕ! Полное ознакомление с руководством по эксплуатации перед использованием инструмента снизит риск получения травмы.		
	Надевайте защитные очки или маску.		
	Используйте средства защиты органов слуха.		
	Надевайте защитную маску или респиратор.		
V	Вольт		Постоянный ток
A	Ампер	η_0	Скорость без нагрузки
Hz	Герц		Конструкция Класса II
W	Ватт		Клемма заземления
min	минут		Символ опасности
	Переменный ток	/min.	Кол-во оборотов или шагов в минуту

Место положения кода даты

Код даты, который также включает в себя год изготовления, отштампован на поверхности корпуса инструмента.

Пример:

2017 XX JN

Год изготовления

В УПАКОВКУ ВХОДЯТ:

- 1 Дисковая пила
- 1 Пильный диск
- 1 Ключ для установки пильного диска
- 1 Параллельная направляющая
- 1 Переходник для пылесоса
- 1 Руководство по эксплуатации
- Проверьте инструмент, детали и дополнительные приспособления на наличие повреждений, которые могли произойти во время транспортировки.
- Перед началом работы необходимо внимательно прочитать настоящее руководство и принять к сведению содержащуюся в нем информацию.

ОПИСАНИЕ (Рис. А)

ВНИМАНИЕ: Ни в коем случае не модифицируйте электроинструмент или какую-либо его деталь. Это может привести к получению травмы или повреждению инструмента.

- a. Курковый пусковой выключатель
- b. Основная рукоятка
- c. Кнопка блокировки пильного диска
- d. Торцевая крышка
- e. Дополнительная рукоятка
- f. Рукоятка установки угла наклона
- g. Механизм регулировка угла наклона
- h. Основание
- i. Нижний защитный кожух
- j. Зажимной винт пильного диска
- k. Рычаг нижнего защитного кожуха
- l. Верхний защитный кожух
- m. Кнопка защиты от непреднамеренного пуска



ВНИМАНИЕ: Данные аккумуляторные дисковые пилы высокой мощности предназначены для профессионального пиления древесины. НЕ ИСПОЛЬЗУЙТЕ с данной пилой приспособления подачи воды. НЕ ИСПОЛЬЗУЙТЕ абразивные круги или диски. НЕ ИСПОЛЬЗУЙТЕ инструмент во влажных условиях или при наличии в окружающем пространстве легко воспламеняющихся жидкостей или газов. Не используйте алмазные круги.

Данные пилы высокой мощности являются профессиональными электроинструментами. НЕ РАЗРЕШАЙТЕ детям прикасаться к инструменту.

Неопытные пользователи всегда должны работать под наблюдением.

- Данное изделие не может использоваться людьми (включая детей) со сниженными физическими, сенсорными и умственными способностями или при отсутствии необходимого опыта или навыка, за исключением, если они выполняют работу под присмотром лица, отвечающего за их безопасность. Не оставляйте детей с инструментом без присмотра.

ПЕРЕД ИСПОЛЬЗОВАНИЕМ

- Перед первым использованием инструмента рекомендуется получить практическую информацию.
- Всегда проверяйте, чтобы напряжение сети соответствовало напряжению, указанному на фирменной табличке инструмента.
- Используйте соответствующие детекторы для обнаружения скрытых коммуникационных линий или обратитесь за помощью к местному коммунальному предприятию (контакт с электролиниями может привести к пожару или поражению электрическим током; повреждение газопровода может стать причиной взрыва; пробивание водопроводной трубы может привести к повреждению имущества или поражению электрическим током).
- Не работайте с материалами, содержащими асбест (асбест признан канцерогенным веществом).
- Пыль некоторых материалов, таких как краска, содержащая свинец, некоторых видов древесины, минералов и металлов может быть вредной (контакт или вдыхание пыли может вызвать аллергические реакции и/или респираторные заболевания у пользователя или посторонних лиц). Надевайте пылезащитную маску и работайте с пылеудаляющим устройством, если его можно подсоединить к инструменту.
- Некоторые виды пыли классифицируются как канцерогенные (например, дубовая и буковая пыль), особенно в сочетании с добавками для кондиционирования древесины. Надевайте пылезащитную маску и работайте с пылеудаляющим устройством, если его можно подсоединить к инструменту.
- Соблюдайте связанные с вырабатываемой пылью национальные требования к материалам, с которыми вы хотите работать.
- Не фиксируйте инструмент в тисках.
- Используйте полностью размотанные и отвечающие требованиям безопасности удлинительные кабели номиналом 16 Ампер.

ПОСЛЕ ИСПОЛЬЗОВАНИЯ

После выключения инструмента никогда не пытайтесь остановить вращающуюся насадку, прикладывая к ней боковое усилие.

СБОРКА И РЕГУЛИРОВКА

ВНИМАНИЕ: Для снижения риска получения тяжёлой травмы, перед регулировкой или снятием/установкой дополнительных принадлежностей или насадок выполняйте инструмент и отсоединяйте его от электросети. Перед повторным подключением инструмента нажмите и отпустите курковый выключатель, чтобы убедиться, что инструмент действительно выключен. Непреднамеренный запуск инструмента может привести к получению травмы.

СМЕНА ПИЛЬНЫХ ДИСКОВ

ПРЕДУПРЕЖДЕНИЕ: Одна сторона внутреннего фланца имеет диаметр 20 мм, другая сторона – диаметр 30 мм. На стороне диаметром 30 мм имеется обозначение «30»; на стороне диаметром 20 мм имеется обозначение «20». Используйте правильную сторону фланца, соответствующую диаметру посадочного отверстия диска, который предполагается использовать в работе. Установка диска на неправильную сторону фланца может привести к образованию опасной вибрации.

Установка пильного диска (Рис. А-Д)

- Используя рычаг нижнего защитного кожуха (k), втните нижний защитный кожух (i) и установите пильный диск на шпindelь вплотную ко внутренней прижимной шайбе (o), убедившись, что диск будет вращаться в правильном направлении (стрелка на диске, обозначающая направление вращения, и зубья диска должны указывать в том же направлении, что и стрелка на пиле, обозначающая направление вращения). Помните, что при правильной установке диска не всегда нанесённая на него печать будет развёрнута в сторону оператора. При втягивании нижнего защитного кожуха при установке пильного диска всегда проверяйте состояние и функционирование нижнего защитного кожуха, чтобы убедиться, что он работает должным образом. Убедитесь, что кожух перемещается свободно и не прикасается к диску или другим деталям при любых углах и глубине пиления.
- Поместите внешнюю прижимную шайбу (n) на шпindelь широкой плоской поверхностью на диск и нанесённой на неё печатью, обращенной к оператору.
- Вручную вкрутите зажимной винт пильного диска (j) в шпindelь (винт имеет правостороннюю резьбу и должен затягиваться по часовой стрелке).
- Нажмите на кнопку блокировки пильного диска (с) во время поворачивания шпинделя ключом, пока блокировка не сработает и пильный диск не прекратит своё вращение.
- Надёжно затяните зажимной винт пильного диска при помощи ключа для установки пильного диска (s).

ПРИМЕЧАНИЕ: Никогда не нажимайте на кнопку блокировки пильного диска во время работы пилы и не пытайтесь силой остановить работающий инструмент. Никогда не включайте пилу при активной блокировке пильного диска. Это может привести к серьёзным повреждениям пилы.

Замена пильного диска (Рис. В-Д)

- Чтобы ослабить зажимной винт пильного диска (j), нажмите на кнопку блокировки пильного диска (с) и поворачивайте шпindelь ключом (s), пока блокировка не сработает и пильный диск не прекратит своё вращение. Когда блокировка диска сработает, ключом для установки диска поверните зажимной винт против часовой стрелки (винт имеет правостороннюю резьбу и должен откручиваться против часовой стрелки).
- Удалите зажимной винт диска (j) и внешнюю прижимную шайбу (n). Снимите пильный диск.
- Счищайте всю пыль, которая могла скопиться в области защитного кожуха или прижимной шайбы, и проверьте состояние и функционирование нижнего защитного кожуха, как было описано выше. Не наносите смазку на эту область.
- Всегда используйте пильные диски правильного размера (диаметра) с центральным отверстием для установки на шпindelь пилы также правильного размера и формы. Всегда проверяйте, что рекомендованная максимальная скорость (об/мин.), обозначенная на пильном диске, соответствует или выше скорости (об/мин.) пилы.
- Следуйте шагам 1-5 раздела «Установка пильного диска», убедившись, что диск будет вращаться в правильном направлении.

НИЖНИЙ ЗАЩИТНЫЙ КОЖУХ

ВНИМАНИЕ: Нижний защитный кожух диска является защитным приспособлением, снижающим риск получения тяжёлой телесной травмы.

Никогда не используйте пилу, если нижний защитный кожух отсутствует, повреждён, неправильно установлен или не функционирует должным образом. Помните, что нижний защитный кожух не способен защитить Вас при любых обстоятельствах. Ваша безопасность зависит от следования всем предписаниям и предупреждениям, а также от правильной эксплуатации пилы. Перед каждым использованием проверяйте, правильно ли закрыт нижний защитный кожух. Если нижний защитный кожух отсутствует или не функционирует должным образом, отремонтируйте пилу перед использованием. В целях обеспечения безопасности и долговечности в использовании продукта ремонт, техническое обслуживание и регулировка должны производиться только в авторизованных сервисных центрах или других квалифицированных мастерских и только с использованием идентичных запасных частей.



ВНИМАНИЕ: Никогда не используйте пилу, с нижним защитным кожухом,

поддерживаемым в открытом положении с помощью клина, верёвки, резинового бинта или других материалов.

Проверка нижнего защитного кожуха (Рис. А)

1. Выключите инструмент и отсоедините его от источника питания.
2. Переведите рычаг нижнего защитного кожуха (k) из полностью закрытого положения в полностью открытое положение.
3. Отпустите рычаг и проследите, как нижний защитный кожух (i) возвращается в полностью закрытое положение.

Инструмент необходимо отнести в ремонт в авторизованный сервисный центр, если:

- кожух не возвращается в полностью закрытое положение,
- кожух движется медленно или с перерывами, или
- кожух касается пильного диска или любой другой части инструмента под любым углом и при любой глубине пропила.

Пильные диски



ВНИМАНИЕ: Для сведения к минимуму риска повреждения глаз всегда надевайте защитные очки. Карбид является твёрдым, но легко раскалывающимся материалом. Посторонние предметы в заготовке, такие как проволока или гвозди, могут стать причиной раскола или поломки диска. Всегда эксплуатируйте пилу с правильно подобранными установленными пильными дисками. Перед началом работы устанавливайте диски в правильном направлении вращения; всегда следите за чистотой и остротой заточки диска.

Если вам нужна помощь при выборе пильного диска, обратитесь к вашему продавцу STANLEY.

Настройка глубины пропила (Рис. E-G)

1. Отожмите рычаг установки глубины пропила (p), подняв его.
2. Чтобы установить нужную глубину пропила, совместите соответствующую метку глубины (q), расположенную на регулировочной планке, с соответствующей отметкой на верхнем защитном кожухе (l).
3. Зажмите рычаг установки глубины пропила
4. Для более эффективного пропила с использованием пильных дисков с твёрдосплавными напайками устанавливайте глубину пропила таким образом, чтобы половина зуба диска выступала под поверхностью распиливаемой деревянной заготовки.
5. Способ проверки правильности глубины пропила изображён на Рисунке G. Положите распиливаемую заготовку вдоль плоскости пильного диска, и проверьте, насколько выступает зуб диска ниже материала.

Регулировка угла наклона (Рис. H)

Механизм регулировки угла наклона (g) позволяет

настроить угол наклона от 0° до 45°.

1. Поверните рукоятку настройки наклона (f), чтобы её ослабить.
2. Наклоните основание под нужным углом, отмеченным на поворотном кронштейне (u).
3. Поверните рукоятку настройки наклона, чтобы её затянуть.

Индикатор пропила (Рис. I)

В передней части основания пилы имеется индикатор пропила (t) для вертикальных и наклонных резов. Данный индикатор позволяет вести пилу вдоль линии реза, карандашом отмеченной на распиливаемом материале. Индикатор пропила находится на одной линии с левой (внутренней) стороной пильного диска, позволяя делать разрез движущимся диском справа от индикатора. На основании имеются отметки 0° и 45°.

Установка и регулировка параллельной направляющей (Рис. J)

Параллельная направляющая (w) предназначена для пиления параллельно краю заготовки.

Установка (Рис. J-K)

1. Вставьте регулировочную рукоятку (x) параллельной направляющей в отверстие (aa), как показано на Рисунке J, оставляя рукоятку ослабленной, что позволит параллельной направляющей двигаться.
2. Вставьте параллельную направляющую (w) в основание (h), как показано на Рисунке J.
3. Затяните регулировочную рукоятку (x) параллельной направляющей.

Регулировка

1. Ослабьте регулировочную рукоятку параллельной направляющей (x) и установите параллельную направляющую (w) на желаемую ширину. При регулировке используйте шкалу параллельной направляющей.
2. Затяните регулировочную рукоятку (x) параллельной направляющей.

Подготовка к эксплуатации

- Убедитесь, что все защитные кожухи установлены правильно. Защитный кожух пильного диска должен находиться в закрытом положении.
- Убедитесь, что пильный диск вращается в направлении, указанном стрелкой на самом диске.
- Не используйте чрезмерно изношенные пильные диски.

ЭКСПЛУАТАЦИЯ

Инструкции по использованию



ВНИМАНИЕ: Всегда следуйте указаниям действующих норм и правил безопасности.



ВНИМАНИЕ: Во избежание травмы, выключите инструмент и отсоедините его от источника электропитания,

прежде чем устанавливать и демонтировать принадлежности, выполнять или изменять настройки, а также перед проведением ремонта. Непреднамеренный запуск инструмента может привести к получению травмы.

Правильное положение рук во время работы (Рис. К)



ВНИМАНИЕ: Для уменьшения риска получения тяжелой травмы, **ВСЕГДА** правильно удерживайте электроинструмент, как показано на рисунке.



ВНИМАНИЕ: Для уменьшения риска получения тяжелой травмы **ВСЕГДА** надежно удерживайте инструмент, предупреждая внезапные сбои в работе.

Правильное положение рук во время работы: одной рукой возьмитесь за основную рукоятку (b), другой рукой удерживайте дополнительную рукоятку (e).

Включение и выключение (предохранительный выключатель) (Рис. А)

Если ваша пила оборудована предохранительным выключателем, предотвращающим непреднамеренный запуск, следуйте изложенным ниже инструкциям.

Для запуска инструмента нажмите на кнопку защиты от непреднамеренного пуска (m), затем на курковый пусковой выключатель (a). Отпустите кнопку защиты от непреднамеренного пуска (m).

Чтобы выключить инструмент, отпустите курковый пусковой выключатель (a). Всегда выключайте электроинструмент после окончания работы и перед отключением от электросети.

ПРЕДОСТЕРЕЖЕНИЕ: Не **ВКЛЮЧАЙТЕ** или не **ВЫКЛЮЧАЙТЕ** инструмент, если пильный диск касается заготовки или других материалов.

Опора для заготовки (Рис. L-P)



ВНИМАНИЕ: Чтобы снизить риск получения тяжелой травмы, **всегда используйте опору для заготовки и крепко удерживайте пилу во избежание потери контроля.**

На Рисунках М и О изображено правильное положение при распиле. На Рисунках N и P изображено опасное положение при распиле. Держите руки в стороне от рабочего участка, а электрокабель в стороне от линии пропила, чтобы он не запутался или не был разрезан во время работы.

Во избежание обратного удара **ВСЕГДА** поддерживайте заготовку **ВБЛИЗИ** от линии пропила (Рис М и О). **НЕ РАСПОЛАГАЙТЕ** опоры для заготовки на большом расстоянии от линии пропила (Рис. N и P).

При управлении пилой следите, чтобы электрический кабель находился в стороне от зоны линии пропила и не повисал на обрабатываемой заготовке.

ПЕРЕД ПРОВЕДЕНИЕМ ЛЮБЫХ РЕГУЛИРОВОК ВСЕГДА ОТКЛЮЧАЙТЕ ПИЛУ! Положите заготовку «хорошей» стороной - той, чей внешний вид наиболее важен - вниз. Пила режет снизу вверх, поэтому при пилении любые расколы и деформации окажутся на стороне, обращенной вверх.

Пиление



ВНИМАНИЕ: Никогда не пытайтесь использовать данный инструмент в перевернутом положении на рабочей поверхности с ручной подачей материала. Всегда надежно фиксируйте заготовку и ведите инструмент по заготовке, крепко удерживая его обеими руками, как показано на Рисунке Р. Располагайте более широкую часть основания пилы на надежно закрепленной части заготовки, а не на той части, которая по окончании пропила должна упасть. В качестве примера, на Рисунке Р изображено **ПРАВИЛЬНОЕ** положение при отрезании конца заготовки. Всегда закрепляйте заготовку при помощи зажимов. Не пытайтесь удерживать короткие заготовки руками! Не забывайте поддерживать свисающий и выступающий материал. Будьте внимательны при пилении материала снизу.

Дождитесь, пока пила не наберет полную мощность, прежде чем касаться разрезаемого материала. Начало пиления с диском, касающимся материала или заранее вставленным в пропил, может привести к обратному удару.

Управляйте пилой на скорости, позволяющей диску резать без прикладывания дополнительных усилий. Твердость и прочность одного и того же материала может изменяться, а узловые или влажные участки заготовки могут потребовать от пилы большей нагрузки. Если это произошло, управляйте пилой немного медленнее, но с большим нажимом, чтобы продолжить работу с минимальной потерей скорости. Слишком сильное давление на пилу может привести к грубому пропилу, неточности, образованию обратного удара и перегреву двигателя. Если ваш рез отклонился от намеченной линии, не пытайтесь силой вернуть диск на линию. Отпустите выключатель и дождитесь полной остановки пильного диска. После этого вы можете поднять пилу, осмотреть пропил и начать новый рез слегка внутри неверного пропила. В любом случае, чтобы изменить линию пропила, вы должны сначала поднять пилу с заготовки. Форсированное изменение внутри пропила может привести к останову пилы и обратному удару.

ПРИ ОСТАНОВЕ ПИЛЫ ОТПУСТИТЕ КУРКОВЫЙ ВЫКЛЮЧАТЕЛЬ И ПОТЯНИТЕ ПИЛУ НАЗАД, ВЫВОДЯ ДИСК ИЗ ПРОПИЛА. ПЕРЕД ПОВТОРНЫМ ЗАПУСКОМ УБЕДИТЕСЬ, ЧТО ПИЛЬНЫЙ ДИСК НАХОДИТСЯ В ПРОПИЛЕ И НЕ КАСАЕТСЯ КРАЕВ ПРОПИЛА.

Закончив рез, отпустите курковый выключатель и дождитесь полной остановки диска, прежде чем поднимать пилу с заготовки. Как только вы поднимите пилу над заготовкой, подпружиненный выдвигной защитный кожух автоматически закроет нижнюю часть диска. Пока это не произойдет, помните о выступающем лезвии диска.

Ни в коем случае не держите руки под заготовкой.

Если Вам нужно вручную втянуть выдвигной защитный кожух (что необходимо при начале выполнения фасонной резки), всегда используйте тягивающий рычаг.

ПРИМЕЧАНИЕ: При распиле узких заготовок всегда следите, чтобы отрезанные кусочки не упали внутрь нижнего защитного кожуха.

Продольный распил

Продольный распил - это разрезание широких досок на узкие полосы вдоль длины волокон древесины. При этом типе пиления очень трудно выполнять ведение пилы вдоль линии вручную, поэтому рекомендуется использование параллельной направляющей STANLEY.

Врезное пиление (Рис. O)



ВНИМАНИЕ: Никогда не подвязывайте защитный кожух диска в поднятом положении. При врезном пилении никогда не ведите пилу назад. Это может привести к подъёму инструмента с поверхности заготовки, что станет причиной получения травмы.

Врезное пиление выполняется в полу, стене или других плоских поверхностях.

1. Отрегулируйте основание пилы, чтобы пильный диск резал на нужную глубину.
2. Наклоните пилу вперёд и установите переднюю часть основания на разрезаемый материал.
3. Используя рычаг нижнего защитного кожуха, переведите нижний защитный кожух в верхнее положение. Опустите заднюю часть основания пилы на заготовку, пока зубья диска почти не коснутся линии реза.
4. Отпустите защитный кожух (его контакт с заготовкой приведёт его в открытое положение, как только вы начнете рез). Снимите руку с рычага защитного кожуха и крепко обхватите вспомогательную рукоятку (e), как показано на Рисунке P. Следите за положением тела и рук, чтобы эффективно противостоять воздействию обратного удара, если это произойдёт.
5. Прежде чем запустить пилу удостоверьтесь, что диск не касается обрабатываемой поверхности.
6. Запустите двигатель и постепенно опускайте пилу, пока её основание полностью не ляжет на разрезаемый материал. Ведите пилу вдоль линии пропила, пока рез не будет завершён.
7. Прежде чем поднять пилу с материала отпустите курковый выключатель и дождитесь полной остановки пильного диска.
8. Перед началом каждого нового реза повторяйте шаги, изложенные выше.

Установка переходника для пылесоса (Рис. A, E, Q)

В комплект поставки вашей дисковой пилы SC16 входит переходник для пылесоса.

Чтобы установить переходник для пылесоса (Рис. Q)

1. Полностью ослабьте рычаг установки глубины пропила (Рис. E, p).

2. Установите основание (Рис. A, h) в самое нижнее положение.
3. Установите обе половины переходника для пылесоса (y) на верхнем защитном кожухе диска (l), как показано на рисунке.
4. Вставьте винты и надёжно затяните.

Пылеудаление (Рис. R)



ВНИМАНИЕ: Риск вдыхания пыли от обрабатываемого материала. Для снижения риска получения телесной травмы ВСЕГДА при работе инструментом надевайте респиратор утверждённого типа.

Переходник для пылесоса (y) входит в комплект поставки вашего инструмента. С данным переходником совместимы шланги большинства стандартных пылесосов.



ВНИМАНИЕ: ВСЕГДА используйте пылесос, конструкция которого соответствует действующим директивам по выбросу пыли при распиловке древесины. Шланги большинства стандартных пылесосов совместимы с переходником.

ТЕХНИЧЕСКОЕ ОБСЛУЖИВАНИЕ

Ваш электроинструмент STANLEY рассчитан на работу в течение продолжительного времени при минимальном техническом обслуживании. Срок службы и надёжность инструмента увеличивается при правильном уходе и регулярной чистке.

- Регулярно очищайте вентиляционные отверстия вашего инструмента мягкой щёткой или сухой тканью.
- Регулярно очищайте корпус двигателя влажной тканью. Не используйте абразивные чистящие средства, а также чистящие средства на основе растворителей. Данный инструмент не обслуживается пользователем. В случае возникновения проблем до истечения указанного срока, обращайтесь в авторизованный сервисный центр.

Подготовка к эксплуатации

Убедитесь, что все защитные кожухи установлены правильно. Защитный кожух пильного диска должен находиться в закрытом положении.

Убедитесь, что пильный диск вращается в направлении, указанном стрелкой на самом диске.

Не используйте чрезмерно изношенные пильные диски.



Смазка

Ваш электроинструмент не требует дополнительной смазки.



Чистка

ВНИМАНИЕ: Выдувайте грязь и пыль из корпуса сухим сжатым воздухом по мере видимого скопления грязи внутри и вокруг вентиляционных отверстий. Выполняйте данную процедуру, надев средство защиты



глаз и респиратор утверждённого типа.

ВНИМАНИЕ: Никогда не используйте растворители или другие агрессивные химические средства для очистки неметаллических деталей инструмента. Эти химикаты могут ухудшить свойства материалов, применённых в данных деталях. Используйте ткань, смоченную в воде с мягким мылом. Не допускайте попадания какой-либо жидкости внутрь инструмента; ни в коем случае не погружайте какую-либо часть инструмента в жидкость.

В целях обеспечения БЕЗОПАСНОСТИ и ДОЛГОВЕЧНОСТИ в использовании продукта ремонт, осмотр угловых щёток, замена деталей и прочее техническое обслуживание и регулировка должны производиться только в авторизованных сервисных центрах STANLEY и только с использованием идентичных запасных частей Stanley.

Нижний защитный кожух

Нижний защитный кожух должен всегда свободно поворачиваться из положения полного открытия в положение полного закрытия. Перед началом реза всегда проверяйте исправность защитного кожуха, для этого полностью открыв его и дав ему самостоятельно закрыться. Если защитный кожух закрывается медленно или не до конца, он нуждается в чистке или ремонте. Не используйте пилу, пока защитный кожух не будет функционировать должным образом. Для чистки защитного кожуха используйте сухой воздух и мягкую щётку; удалите всю собравшуюся пыль и грязь с защитного кожуха и вокруг его пружины. Если чистка не исправит проблему, защитный кожух нуждается в ремонте в авторизованном сервисном центре.

Пильные диски

Затупленный пильный диск может стать причиной малопроизводительного реза, перегрузки двигателя пилы, чрезмерного расщепления, а также повышается риск возникновения обратного удара. Замените диск, если при резании требуется прикладывать дополнительные усилия, а также при перегрузке двигателя или перегреве пильного диска. Полезно всегда иметь под рукой дополнительные остро заточенные пильные диски, готовые к работе. Затупленные пильные диски перезатачиваются.

Затвердевшая смола легко удаляется с диска при помощи керосина, скипидара или средств для чистки духовых шкафов. Диски с антипригарным покрытием могут использоваться при обработке материалов с чрезвычайно плотным строением волокон, например, материалов, подвергнутых обработке под давлением, или сырого пилломатериала.

ПРИСПОСОБЛЕНИЯ



ВНИМАНИЕ: Поскольку принадлежания, отличные от тех, которые предлагает STANLEY, не проходили тесты на

данном изделии, то использование этих принадлежностей может привести к опасной ситуации. Во избежание риска получения травмы, с данным продуктом должны использоваться только дополнительные принадлежности, рекомендованные STANLEY.

По вопросу приобретения дополнительных принадлежностей обращайтесь к вашему продавцу.

ЗАЩИТА ОКРУЖАЮЩЕЙ СРЕДЫ



Раздельный сбор. Данное изделие нельзя утилизировать вместе с обычными бытовыми отходами.

Если однажды вы захотите заменить ваше изделие STANLEY или вы больше в нём не нуждаетесь, не выбрасывайте его вместе с бытовыми отходами. Отнесите изделие в специальный приёмный пункт.



Фирма STANLEY обеспечивает приём и переработку отслуживших свой срок изделий STANLEY. Чтобы воспользоваться этой услугой, вы можете сдать ваше изделие в любой авторизованный сервисный центр, который собирает их по нашему поручению.

Вы можете узнать место нахождения вашего ближайшего авторизованного сервисного центра, обратившись в ваш местный офис STANLEY по адресу, указанному в данном руководстве по эксплуатации. Кроме того, список авторизованных сервисных центров STANLEY и полную информацию о нашем послепродажном обслуживании и контактах Вы можете найти в интернете по адресу: www.2helpU.com.

ПРИМЕЧАНИЯ

Политика STANLEY нацелена на постоянное усовершенствование нашей продукции, поэтому фирма оставляет за собой право изменять технические характеристики изделий без предварительного уведомления. Стандартное оборудование и дополнительные принадлежности могут меняться в зависимости от страны продаж. Технические характеристики продуктов могут различаться в зависимости от страны продаж. Полная линия продуктов присутствует на рынках не всех стран. Для получения информации касательно линии продуктов в вашей стране обратитесь в ближайший сервисный центр STANLEY.

ИНФОРМАЦИЯ ПО ТЕХНИЧЕСКОМУ ОБСЛУЖИВАНИЮ

STANLEY имеет обширную сеть принадлежащих компании и авторизованных сервисных центров. В целях предоставления клиентам эффективного и надёжного технического обслуживания электроинструментов во всех сервисных центрах STANLEY работает обученный персонал. За дополнительной информацией о наших авторизованных сервисных центрах, а также, если вы нуждаетесь в технической консультации, ремонте или покупке оригинальных запасных частей, обратитесь в ближайший к вам сервисный центр STANLEY.

ТЕХНИЧЕСКИЕ ХАРАКТЕРИСТИКИ

ДИСКОВАЯ ПИЛА		SC16
Напряжение	В перем. тока	220~240
Частота	Гц	50-60
Потребляемая мощность	Вт	1600
Число оборотов без нагрузки	об/мин	5500
Максимальный диаметр пильного диска	мм	190
Макс. глубина пропила:		
90°	мм	65
45°	мм	50
Диаметр посадочного отверстия	мм	20 / 30
Регулировка угла наклона	мм	45°
Вес	кг	3.90



Приложение к руководству по эксплуатации электроинструмента

Инструмент ручной электрифицированный: машины шлифовальные, торговой марки "Stanley", модели: SS28X-X, SS30X-X, SB90X-X, SB92X-X, SSS31X-X, где "X" – не более 4 символов (цифра от 0 до 9, и/или буква от А до Z, и/или "-") или их отсутствие, обозначающие порядковый номер модели, комплектацию и тип упаковки. Директива 2014/35/EU ЕВРОПЕЙСКОГО ПАРЛАМЕНТА И СОВЕТА от 26 февраля 2014 г. «О гармонизации законодательства государств-членов в области размещения на рынке электрооборудования, предназначенного для использования в определенных пределах напряжения»; Директива 2014/30/EU ЕВРОПЕЙСКОГО ПАРЛАМЕНТА И СОВЕТА от 26 февраля 2014 г. «О гармонизации законодательства государств-членов ЕС в области электромагнитной совместимости»; Директива 2006/42/ЕС ЕВРОПЕЙСКОГО ПАРЛАМЕНТА И СОВЕТА от 17 мая 2006 г. «О машинах и оборудовании».

СЕРТИФИКАТ СООТВЕТСТВИЯ № RU C-DE.AЯ46.B.85903
 Действителен до: 01 июля 2021 г.
 Выдан: Орган по сертификации "РОСТЕСТ-Москва", Адрес: 119049, г. Москва, улица Житная, д. 14, стр. 1; 117418, Москва, Нахимовский просп., 31 (фактический), Телефон: (499) 1292311, (495) 6682893, Факс: (495) 6682893, E-mail: office@rostest.ru
 Изготовитель: Изготовитель: Блэк энд Деккер Холдингс ГмбХ, Германия, 65510, Идштайн, ул. Блэк энд Деккер, 40, тел. +496126212790.

Уполномоченное изготовителем юр.лицо:
 ООО "Стэнли Блэк энд Деккер", 117485, город Москва, улица Обручева, дом 30/1, строение 2
 Телефон: + 7 (495) 258-3981, факс: + 7 (495) 258-3984, E-mail: inbox@dewalt.com
 Сведения о импортере указаны в сопроводительной документации и/или на упаковке

Хранение.

Необходимо хранить в сухом месте, вдали от источников повышенных температур и воздействия солнечных лучей. При хранении необходимо избегать резкого перепада температур. Хранение без упаковки не допускается

Срок службы.

Срок службы изделия составляет 5 лет. Не рекомендуется к эксплуатации по истечении 5 лет хранения с даты изготовления без предварительной проверки.
 Дата изготовления (код даты) указана на корпусе инструмента.
 Код даты, который также включает год изготовления, отштампован на поверхности корпуса изделия.

Пример:

2014 46 XX, где 2014 –год изготовления, 46-неделя изготовления.
 Определить месяц изготовления по указанной неделе изготовления можно согласно приведенной ниже таблице.

Транспортировка.

Категорически не допускается падение и любые механические воздействия на упаковку при транспортировке.
 При разгрузке/погрузке не допускается использование любого вида техники, работающей по принципу зажима упаковки.

Перечень критических отказов, возможные ошибочные действия персонала.

- Не допускается эксплуатация изделия:
- При появлении дыма из корпуса изделия
- При поврежденном и/или оголенном сетевом кабеле
- при повреждении корпуса изделия, защитного кожуха, рукоятки
- при попадании жидкости в корпус
- при возникновении сильной вибрации
- при возникновении сильного искрения внутри корпуса

Критерии предельных состояний.

- При поврежденном и/или оголенном сетевом кабеле
- при повреждении корпуса изделия

Месяц	Январь	Февраль	Март	Апрель	Май	Июнь	Июль	Август	Сентябрь	Октябрь	Ноябрь	Декабрь	Год производства
Неделя	01	05	09	13	17	22	26	31	35	39	44	48	2016
	02	06	10	14	18	23	27	32	36	40	45	49	
	03	07	11	15	19	24	28	33	37	41	46	50	
	04	08	12	16	20	25	29	34	38	42	47	51	
		09	13	17	21	26	30	35	39	43	48	52	
Неделя					22					44			2017
	01	05	09	13	18	22	26	31	35			48	
	02	06	10	14	19	23	27	32	36	41		49	
	03	07	11	15	20	24	28	33	37		46	50	
	04	08	12	16	21	25	29	34	38	43	47	51	
Неделя	05	09	13	17	22	26	30	35	39	44	48	52	2018
						31							
	01	05	09	13	18	22	26	31	35	40	44	48	
	02	06	10	14	19	23	27	32	36	41	45	49	
	03	07	11	15	20	24	28	33	37	42	46	50	
Неделя	04	08	12	16	21	25	29	34	38	43	47	51	2019
	05	09	13	17	22	26	30	35	39	44	48	52	
					18			31					
	01	05	09	14	18	22	27	31	35	40	45	48	
	02	06	10	15	19	23	28	32	36	41	46	49	
Неделя	03	07	11	16	20	24	29	33	37	42	47	50	2020
	04	08	12	17	21	25	30	34	38	43	48	51	
	05	09	13	18	22	26	31	35	39	44	48	52	
									40				
	01	05	09	14	18	23	27	31	36	40	44	49	
Неделя	02	06	10	15	19	24	28	32	37	41	45	51	2020
	03	07	11	16	20	25	29	33	38	42	46	51	
	04	08	12	17	21	26	30	34	39	43	47	52	
	05	09	13	18	22	27	31	35	40	44	48	53	
				14					36		49		

ПРИЗНАЧЕННЯ

Ваша циркулярна пила SC16 виробництва STANLEY призначена для різання деревини. Цей інструмент призначений для професійного використання.

ІНСТРУКЦІЇ З ТЕХНІКИ БЕЗПЕКИ

Наведені нижче визначення описують рівень небезпеки, якому відповідає кожне сигнальне слово. Необхідно ретельно ознайомитись із вмістом цього посібника та звернути увагу на наступні знаки.



НЕБЕЗПЕЧНО: Вказує на неминучу небезпечну ситуацію, яка, якщо її не усунути, обов'язково призведе до серйозних травм або смерті.



ОБЕРЕЖНО! Вказує на потенційно небезпечну ситуацію, яка, якщо її не усунути, може призвести до серйозних травм або смерті.



УВАГА: Вказує на потенційно небезпечну ситуацію, яка, якщо її не усунути, може призвести до травм легкого та середнього ступеню тяжкості.

ПРИМІТКА: Вказує на дію, що не пов'язана з особистою безпекою, але яка, якщо її не усунути, може призвести до пошкодження майна.



Вказує на небезпеку ураження електричним струмом.



Вказує на небезпеку виникнення пожежі.



Обережно: Щоб знизити ризик травмування, необхідно ретельно ознайомитись із вмістом цього посібника.

Загальні вказівки щодо безпечної роботи з електричним інструментом



УВАГА! Необхідно ретельно ознайомитись із усіма попереджувальними знаками, вказівками щодо безпечної роботи, графічними матеріалами та технічними описами, що додаються до цього електричного інструмента. Недотримання вказівок щодо безпечної роботи може призвести до ураження електричним струмом, пожежі та/або серйозних травм персоналу.

Зберігайте всі попереджувальні написи та вказівки щодо безпечної роботи для використання в майбутньому. Термін «електричний інструмент», що використовується у всіх застережливих написах та вказівках щодо техніки безпеки, представлених нижче, відноситься до електричного інструмента, що працює від мережі

(зі шнуром електроживлення) або від акумуляторної батареї (без шнура живлення).

1. Вказівки з техніки безпеки на робочому місці

a. Утримуйте робоче місце в чистоті і добре освітленим. Безлад або погане освітлення на робочому місці можуть призвести до нещасного випадку.

b. Не працюйте з електроінструментом в місці зберігання вибухонебезпечних матеріалів, наприклад, у присутності легкозаймистих рідин, газів або пилу. Електричні інструменти створюють іскри, що можуть запалити пил або пари.

c. Забороняється перебування дітей та сторонніх осіб поблизу працюючого електричного інструменту. Ви можете відволіктися і втратити контроль за роботою інструменту.

2. Електрична безпека

a. Вилка шнура живлення інструмента повинна відповідати мережевій розетці. Забороняється вносити будь-які зміни у вилку шнура живлення. Не використовуйте жодних вилок-перехідників із заземленими (зануленими) електроінструментами. Відсутність змін у вилках шнурів живлення та відповідність електричних вилок і розеток знижує ризик ураження електричним струмом.

b. Не торкайтеся поверхонь заземлених чи занулених предметів, наприклад труб, радіаторів, електроплит або холодильників. Заземлення чи занулення тіла підвищує ризик ураження електричним струмом.

c. Забороняється піддавати електричні інструменти впливу дощу чи підвищеної вологості. При попаданні вологи всередину електричного інструмента підвищується ризик ураження електричним струмом.

d. Забороняється пошкоджувати шнур живлення. У жодному разі не використовуйте шнур живлення для перенесення чи зміни положення інструмента; не тягніть за шнур, виймаючи вилку з розетки. Не прокладайте шнур живлення поруч із гарячими предметами, мастилом, гострими краями і рухомими деталями. Пошкодження й заплутування шнурів живлення підвищує ризик ураження електричним струмом.

e. Під час роботи з електричним інструментом за межами приміщень використовуйте відповідний подовжувач. Використання подовжувача, призначеного для роботи поза приміщеннями, знижує ризик ураження електричним струмом.

f. Якщо електричним інструментом необхідно користуватись у вологому місці, слід використовувати пристрій захисного відключення (ПЗВ) електричної мережі. Використання ПЗВ знижує ризик ураження електричним струмом.

3. Безпека персоналу

- a. **Під час роботи з електричним інструментом необхідно бути обачним, слідкувати за виконуваною роботою та керуватися здоровим глуздом.** Забороняється працювати з електричним інструментом у стані втоми чи під впливом наркотиків, алкоголю і лікарських препаратів. Ослаблення уваги навіть на мить може призвести до серйозної травми.
 - b. **Використовуйте засоби індивідуального захисту. Завжди користуйтеся засобами захисту очей.** Використання у відповідних умовах засобів індивідуального захисту, наприклад пилозахисної маски, протиковзного захисного взуття, захисної каски або засобів захисту органів слуху, завжди знижує ризик отримання травми.
 - c. **Не допускайте ненавмисного вмикання інструмента. Перш ніж підключити джерело живлення та/або акумулятор, піднімати чи переносити інструмент, переконайтеся, що його вимикач переведено у положення «вимкнено».** Якщо тримати палець на вимикачі під час перенесення інструмента чи підключення увімкненого інструмента до мережі, це підвищує ризик нещасного випадку.
 - d. **Перш ніж увімкнути електричний інструмент, обов'язково вийміть із нього регулювальний чи гайковий ключ.** Ключ, залишений ключ на обертальній деталі інструмента, може призвести до травмування.
 - e. **Не намагайтеся дотягнутися до важкодоступних місць. Завжди міцно тримайтеся на ногах і зберігайте рівновагу під час роботи.** Це дозволяє краще контролювати електричний інструмент у непередбачуваних ситуаціях.
 - f. **Необхідно використовувати захисний одяг.** Забороняється одягати вільний одяг та прикраси. Волосся та одяг мають знаходитися на безпечній відстані від рухомих деталей інструменту. Вільний одяг, прикраси чи довге волосся можуть бути захоплені рухомими елементами.
 - g. **Якщо встановлені пристрої підключення засобів пиловловлювання та пилозбірників, необхідно перевірити, щоб вони були підключені та використовувалися належним чином.** Використання цих пристроїв знижує рівень ризику, пов'язаного з пилом.
 - h. **Досвід роботи з електричним інструментом та часте його використання не повинні ставати причиною легковажного ставлення до правил безпечної експлуатації чи їх ігнорування.** Легковажне ставлення навіть на частку секунди може призвести до серйозної травми.
- ### 4. Використання та догляд за електричним інструментом
- a. **Не застосовуйте надмірне зусилля до електричного інструмента. Використовуйте електричний інструмент тільки за**


призначенням. Правильно підібраний електроінструмент дозволить виконати роботу краще і безпечніше при швидкості, для якої він був розроблений.

- b. **Забороняється використовувати цей електричний інструмент, якщо не вдається ввімкнути чи вимкнути його вимикачем.** Будь-який електричний інструмент, роботою якого неможливо керувати за допомогою вимикача, є небезпечним, і його обов'язково потрібно відремонтувати.
 - c. **Перш ніж регулювати електричний інструмент, замінівати на ньому приладдя чи класти на зберігання, необхідно витягти вилку живлення з розетки та/або від'єднати від нього акумулятор.** Такий запобіжний захід безпеки знижує ризик ненавмисного увімкнення інструменту.
 - d. **Зберігайте електричний інструмент, який в даний момент не використовується, в недоступному для дітей місці та не дозволяйте працювати з інструментом особам, які не знайомі з ним або з цими вказівками.** Електричний інструмент є небезпечним в руках ненавченої людини.
 - e. **Технічне обслуговування електроінструмента та приладдя.** Перевіряйте центрування та з'єднання рухомих деталей, наявність пошкоджених деталей та будь-які фактори, які можуть негативно позначитися на роботі електричного інструмента. У разі виявлення пошкодження електричний інструмент необхідно відремонтувати перед використанням. Багато нещасних випадків трапляється через неналежне технічне обслуговування електричних інструментів.
 - f. **Ріжучі інструменти мають бути загостреними й чистими.** Підтримувати у належному робочому стані ріжучий інструмент з гострими лезами менше застряє, ним легше керувати.
 - g. **Використовуйте електричний інструмент, приладдя, вставні різці і т. п. відповідно до даних вказівок, враховуючи умови експлуатації та роботу, яка має бути виконана.** Використання електричного інструменту не за призначенням може призвести до небезпечної ситуації.
 - h. **Необхідно забезпечувати відсутність бруду, вологи та залишків оливи та мастила на рукоятках та поверхнях утримання інструменту.** Слизькі рукоятки та поверхні утримання є джерелами небезпеки під час роботи з електричним інструментом та не дозволяють надійно керувати інструментом в нештатних ситуаціях.
- ### 5. Обслуговування
- a. **Обслуговувати електричний інструмент повинен тільки кваліфікований ремонтний персонал із використанням лише ідентичних запасних частин.** Це забезпечить утримання електричного інструмента у безпечному стані.

**ДОДАТКОВІ СПЕЦІАЛЬНІ ПРАВИЛА
ТЕХНІКИ БЕЗПЕКИ**

Вказівки з безпеки для всіх пилок

Операція різання

a.  **НЕБЕЗПЕЧНО!** Руки не повинні знаходитися поблизу ділянки різання і пильного диска. Другою рукою ви повинні тримати допоміжну ручку або підтримувати корпус двигуна. Якщо обидві руки будуть тримати пилку, диск не зможе їх порізати.

ПРИМІТКА: Для циркулярних пилок з дисками, діаметр яких не перевищує 140 мм, слова «Другою рукою ви повинні тримати допоміжну ручку або підтримувати корпус двигуна» не застосовуються.

b. Не доводьте пилку до нижнього краю оброблюваної деталі. Захисний щиток не може захистити вас від диска під робочою деталлю.

c. Відрегулюйте глибину різання відповідно до товщини робочої деталі. Під робочою деталлю має бути видно менше повної довжини зуба диска.

d. Ніколи не тримайте розрізану деталь в руках або на ногах. Закріпіть робочу деталь на стійкій основі. Щоб звести до мінімуму небезпеку отримання пошкоджень, ризик заклинювання диска і втрати контролю над інструментом, важливо належним чином підтримувати робочу деталь.

e. Під час виконання робіт, коли ріжуча деталь електричного інструменту може стикатися з прихованою електропроводкою, інструмент необхідно тримати за діелектричну поверхню. При контакті ріжучої деталі з проводом, що під напругою, під напругу можуть потрапити металеві деталі електричного інструменту, внаслідок чого виникає небезпека ураження оператора електричним струмом.

f. При поздовжньому пилянні завжди використовуйте направляючу планку або лінійку. Це підвищить точність різання та зменшить ризик заклинювання диска.

g. Завжди використовуйте диски з точним розміром і формою (ромб проти кола) роз'ємного отвору. Диски, що не відповідають елементам кріплення пили, будуть обертатися ексцентрично, що призведе до втрати контролю над інструментом.

h. Ніколи не використовуйте пошкоджені або невідповідні шайби чи болт для диска. Шайби та болт для диска були спеціально розроблені для вашої пилки задля досягнення оптимальних робочих характеристик і безпечної роботи. Додаткова інформація з техніки безпеки

Віддача та пов'язані з нею вказівки щодо безпечної роботи

— Віддача є миттєвою реакцією на защемлення, заїдання або розцентровку пильного диска, коли пилка неконтрольовано піднімається вгору та виходить з робочої деталі в напрямку до оператора;

— Коли диск защемлюється або щільно застрягає в пропилі, він зупиняється, і реакція двигуна швидко відводить пилку назад до оператора;

— Якщо диск викривляється або втрачає співвісність у пропилі, зуби в задній кромці диска можуть зайти у верхню поверхню дерева, внаслідок чого диск піде з пропила і відскочить на оператора.

— Віддача є результатом неправильного використання інструмента та/або неправильної послідовності виконання дій і неправильних умов роботи та може бути усунена при дотриманні заходів безпеки, зазначених нижче:

a. Міцно тримайте двома руками пилку й виберіть таке положення рук, щоб вони протидіяли силам віддачі. Тулуб оператора повинен знаходитися з будь-якого боку від пильного диска, але ні в якому разі не на одній з ним лінії. Віддача може призвести до того, що пилку буде відкинуто назад, але якщо вжити належних заходів обережності, оператор зможе контролювати сили віддачі.

b. Якщо диск заклинило, або з будь-якої причини припинилося пиляння, відпустіть пускову кнопку й утримуйте без руху пилку в матеріалі доти, доки диск не зупиниться повністю. У таких випадках ніколи не намагайтеся вийняти пилку з робочої деталі або потягнути пилку назад, доки диск ще обертається, інакше може трапитися віддача. Вивчіть причину заклинювання пильного диска і прийміть заходи щодо її усунення.

c. При повторному включенні пилки в робочій деталі виставте центральне положення пильного диска в пропилі та переконайтеся, що зуби диска не перебувають в зачепленні матеріалом. Якщо диск заклинило, при повторному включенні пилки її може бути відкинуто вгору або назад від робочої деталі.

d. Встановіть опори під великими дошками, щоб звести до мінімуму ризик заклинювання й появи віддачі. Великі робочі деталі мають властивість прогинатися під дією власної ваги. Опори повинні встановлюватися під дошкою з обох боків, поблизу лінії пропили й поблизу краю дошки.

e. Забороняється використовувати тупі або пошкоджені пилкові диски. Незаточені або неправильно встановлені пильні диски роблять вузькі пропили, що призводить до зайвого тертя, заклинювання диска й появи віддачі.

f. Перед виконанням пиляння повинні бути закріплені важелі фіксації регулювання кута скосу фаски та глибини диска. Якщо під

Додаткові вказівки з техніки безпеки для всіх пилок

час пиляння регулювання диска зсувається, це може призвести до заклинювання диска й віддачі.

- g. Будьте вкрай уважні при врзанні в стіни, а також при роботі на всіх інших ділянках, де відсутній огляд.** Диск, що виступає вперед, може наштовхнутися й почати різати сторонній об'єкт, через що може утворитись віддача.

Інструкції з безпеки при роботі із нижнім захисним щитком

- a. Кожного разу перед початком роботи переконайтеся, що нижній захисний щиток закритий належним чином.** Забороняється працювати пилкою, якщо нижній захисний щиток не може вільно рухатися й відразу закриватися. Забороняється затискати або закріплювати нижній захисний щиток у відкритому положенні. Якщо пила випадково впаде, нижній захисний щиток може погнутися. Підніміть нижній захисний щиток висувною ручкою і переконайтеся, що він вільно рухається й не торкається диска та інших деталей при всіх кутах і глибинах пиляння.

- b. Перевірте спрацювання пружини нижнього захисного щитка.** Якщо щиток і пружина належним чином не працюють, необхідно виконати їх ремонт до початку роботи пилки. Нижній захисний щиток може працювати повільно внаслідок пошкоджених деталей, липкого нальоту або відкладення частинок відходів.

- c. Нижній захисний щиток слід відводити вручну тільки при виконанні особливих типів робіт, таких як занурюване пиляння і пиляння в декількох площинах.** Підніміть нижній захисний щиток за висувну ручку, і щойно пильний диск увійде в матеріал, щиток треба буде відпустити. У всіх інших випадках пиляння нижній захисний щиток повинен працювати автоматично.

- d. Перед тим як поставити пилку на верстак або на підлогу, завжди переконайтесь, що нижній захисний щиток закриває диск.** Через незакритий диск, що обертається за інерцією, пила почне рухатися назад і буде різати все, що трапиться їй на шляху. Необхідно знати, скільки проходить часу від виключення пилки до повної зупинки диска.

ДОДАТКОВІ ВКАЗІВКИ З ТЕХНІКИ БЕЗПЕКИ ДЛЯ ЦИРКУЛЯРНИХ ПИЛОК

- **Застосовуйте засоби захисту органів слуху.** Вплив шуму може призвести до погіршення слуху.
- **Одягайте маску для захисту від пилу.** Вплив частинок пилу може спричинити утруднення дихання та призвести до травмування.
- **Не використовуйте пилкові диски, діаметр яких відрізняється від рекомендованого діаметру.** Номінальні характеристики пильного диска дивіться в розділі технічних даних. Використовуйте тільки ті пилкові диски,

які вказані в цій інструкції та які відповідають EN 847-1.

- **Ніколи не використовуйте абразивні відрізи та алмазні диски.** Не різте бетон, цеглу, сталь або інші підручні матеріали.
- **Не використовуйте допоміжні пристрої для подачі води.**
- **Надійно закріпіть оброблювану деталь на стійкій основі затискачами або іншим зручним і практичним способом.** Якщо тримати деталь руками або притискати її до тіла, вона буде перебувати в незакріпленому положенні, що може призвести до втрати контролю під час роботи інструмента.
- **Не використовуйте дану пилку в якості пилки циркулярного станка. Додаткові інструкції з техніки безпеки**



ОБЕРЕЖНО: Рекомендується використовувати пристрій захисного відключення з номінальним струмом вимкнення до 30 МА.

БЕЗПЕКА ІНШИХ ОСІБ

- Цей інструмент не призначений для використання особами (включаючи дітей) з обмеженими фізичними, сенсорними або розумовими здібностями або особами, у яких відсутній необхідний досвід і знання, крім випадків, коли вони знаходяться під наглядом і отримали належні інструкції по роботі з інструментом від особи, відповідальної за їхню безпеку.
- Щоб діти не гралися з інструментом, вони повинні знаходитися під наглядом.

ЗАЛИШКОВИЙ РИЗИК

Навіть за умови дотримання всіх відповідних правил техніки безпеки та використання захисних пристроїв, неможливо повністю усунути залишковий ризик. Серед таких небезпек:

- погіршення слуху;
- небезпека травмування частинками, що розлітаються;
- небезпека опіків внаслідок нагрівання приладдя під час роботи;
- небезпека травмування внаслідок тривалої роботи;
- небезпека, що спричинена пилом шкідливих речовин.

ЕЛЕКТРИЧНА БЕЗПЕКА



Цей інструмент має подвійну ізоляцію, тому дріт заземлення для нього не потрібен. Завжди перевіряйте, чи мережева напруга відповідає значенню, вказаному в таблиці з паспортними даними.



ОБЕРЕЖНО! Щоб уникнути травм і матеріальних збитків, пошкоджений шнур живлення необхідно замінити, звернувшись до виробника, в авторизований сервісний центр STANLEY чи до особи, яка має відповідну кваліфікацію. Якщо заміну шнура

живлення виконує особа, яка має відповідну кваліфікацію, але не уповноважена компанією STANLEY, гарантію буде анульовано.

ВИКОРИСТАННЯ ПОДОВЖУВАЧА

Дозволяється використовувати лише 3-дротовий схвалений для застосування подовжувач, що відповідає вхідній потужності інструменту (див. Технічні характеристики). Мінімальний перетин кабелю має бути 1,5 мм², максимальна довжина — 30 метрів. У разі використання кабельної котушки обов'язково розмотувати подовжувач повністю.

Площа перерізу кабелю, мм ² Номинальний струм кабелю, А	Площа перерізу кабелю, мм ² Номинальний струм кабелю, А
0.75	6
1.00	10
1.50	15
2.50	20
4.00	25

Довжина кабелю, м						
	7.5	15	25	30	45	60
Напруга	Ампер	Номинальний струм кабелю (ампер)				
110-127	0 - 2.0	6	6	6	6	10
	2.1 - 3.4	6	6	6	6	15
	3.5 - 5.0	6	6	10	15	20
	5.1 - 7.0	10	10	15	20	25
	7.1 - 12.0	15	15	20	25	-
	12.1 - 20.0	20	20	25	-	-
220-240	0 - 2.0	6	6	6	6	6
	2.1 - 3.4	6	6	6	6	6
	3.5 - 5.0	6	6	6	6	10
	5.1 - 7.0	10	10	10	10	15
	7.1 - 12.0	15	15	15	15	20
	12.1 - 20.0	20	20	20	20	25

НАКЛЕЙКИ НА ІНСТРУМЕНТІ

Наклейка на вашому інструменті може містити наступні символи:

	прочитати інструкцію з експлуатації перед його використанням. ОБЕРЕЖНО! Щоб знизити ризик травмування, необхідно уважно		
	Використовуйте відкриті і закриті захисні окуляри.		
	Необхідно застосовувати засоби захисту органів слуху.		
	Одягайте маску для захисту від пилу.		
V	Вольт	===	Постійний струм
A	Ампер	n ₀	Швидкість холостого ходу
Гц	Герц		Конструкція II класу
Вт	Ват		Клема заземлення
хв	хвилини		Попереджувальний знак
	Змінний струм	/хв.	Кількість обертів або зворотно-поступальних рухів за хвилину

Положення коду з датою

На корпусі надрукований код з датою, який також містить рік виготовлення.

Приклад:

2017 XX JN
Рік виготовлення

ДО КОМПЛЕКТУ ПОСТАВКИ ВХОДЯТЬ

- 1 Циркулярна пилка
- 1 Диск циркулярної пилки
- 1 Ключ для диска
- 1 Напрямна лінійка
- 1 насадка для видалення пилу
- Посібник з експлуатації — 1 шт

- Перевірте інструмент, деталі та приладдя на відсутність пошкоджень внаслідок транспортування.
- Перед початком експлуатації уважно прочитайте посібник користувача.

ДЕТАЛІ ІНСТРУМЕНТА (РИС. А)

ОБЕРЕЖНО: Заборонено змінювати конструкцію інструмента або його частин. Це може призвести

до травмування.

- a. Пусковий перемикач
- b. Головна ручка
- c. Замок диска
- d. Торцева кришка
- e. Допоміжна ручка
- f. Ручка регулювання різання під кутом
- g. Механізм регулювання положення для різання під кутом
- h. Пластина основи
- i. Нижній захисний щиток для пильного диска
- j. Гвинт затискача диска
- k. Важіль нижнього захисного щитка
- l. Верхній захисний щиток пильного диска
- m. Кнопка розблокування



ОБЕРЕЖНО: Ці циркулярні пилки посиленої конструкції призначені для професійного різання деревини. **ЗАБОРОНЯЄТЬСЯ ВИКОРИСТОВУВАТИ** пристосування для подачі води при роботі з цією пилкою. **ЗАБОРОНЯЄТЬСЯ ВИКОРИСТОВУВАТИ** абразивні диски або шліфувальні кола. Забороняється використовувати в умовах підвищеної вологості та в середовищі з наявністю легкозаймистих рідин і газів. Забороняється використовувати алмазні диски.

Ці циркулярні пилки посиленої конструкції є професійними електроінструментами. Не дозволяйте дітям грати з цим інструментом. Використання інструменту некваліфікованими особами дозволяється тільки під наглядом досвідченого користувача.

- Цей виріб не призначений для використання особами (включаючи дітей), які страждають на вади, пов'язані зі зниженням фізичних, сенсорних або розумових здібностей; він також не призначений для людей без достатнього досвіду, знань або навичок, якщо їх дії не контролюються особою, відповідальною за їхню безпеку. Забороняється залишати дітей наодинці з даним виробом.

ПЕРЕД ПОЧАТКОМ ВИКОРИСТАННЯ

- Перед першим використанням даного інструменту рекомендується отримати практичну інформацію.
- Завжди перевіряйте, чи напруга живлення відповідає напрузі, вказаній на паспортній таблиці інструмента.
- Використовуйте відповідні прилади для пошуку прихованих комунікаційних ліній або зверніться до місцевої комунальної служби за допомогою (контакт із проводами енергопостачання може призвести до пожежі або ураження електричним струмом, пошкодження газової труби може призвести до вибуху, проникнення в водопровідну трубу

може призвести до пошкодження майна або ураження струмом).

- Не використовуйте матеріали, що містять азбест (азбест вважається канцерогенною речовиною).
- Пил з матеріалів, таких як фарба, що містить свинець, деякі види деревини, мінералів та металів, може бути шкідливим (контакт із таким пилом або його вдихання можуть викликати алергічні реакції та/або захворювання органів дихання оператора цього інструмента або сторонніх спостерігачів); тому надягайте маску для захисту від пилу та працюйте з пристроєм для видалення пилу, якщо його підключення можливе.
- Певні види пилу класифіковано як канцерогенні (наприклад, дубовий та буковий пил), особливо у поєднанні з добавками для кондиціонування деревини; тому надягайте маску для захисту від пилу і працюйте з пристроєм для видалення пилу, якщо його підключення можливе.
- При роботі з потрібними вам матеріалами дотримуйтесь державних норм, що стосуються поводження з пилом.
- Забороняється затискати інструмент в лещатах.
- Використовуйте повністю розгорнуті та захищені подовжувачі, розраховані на силу струму до 16 А.

ПІСЛЯ ВИКОРИСТАННЯ

- Після вимкнення пристрою ніколи не зупиняйте обертання його приладдя шляхом докладання до нього бічного зусилля.

ЗБИРАННЯ ТА НАЛАШТУВАННЯ



ОБЕРЕЖНО: Щоб запобігти травмуванню, перед початком регулювання або зняття/встановлення приладдя необхідно завжди вимикати інструмент та від'єднувати його від джерела живлення. Перед повторним під'єднанням інструменту необхідно натиснути та відпустити пусковий вимикач, щоб переконатися, що інструмент вимкнений. Раптове увімкнення може призвести до травмування.

ЗАМІНА ДИСКІВ



УВАГА: Внутрішній фланець має діаметр 20 мм з одного боку та діаметр 30 мм з іншого. Сторона з діаметром 30 мм позначена цифрою "30", а протилежна сторона діаметром 20 мм має позначення "20". Використовуйте сторону, що відповідає діаметру отвору пильного диска, який ви плануєте використовувати. Встановлення диска неправильним боком може призвести до утворення небезпечних вібрацій.

Для встановлення диска (Рис. A-D)

1. Використовуючи важіль нижнього захисного щитка (k), відтягніть нижній щиток різального диска (i) і встановіть диск на шпindel пилки

напроти внутрішньої шайби затискача (o), переконавшись, що диск обертається в правильному напрямку (стрілка напрямку обертання на диску пилки та зубці диска повинні бути спрямовані в той самий бік, що й стрілка напрямку обертання на пилці). При правильному встановленні написи на диску не обов'язково знаходяться на тому боці диска, що повернутий до вас. При відтягуванні нижнього захисного щитка диска перевірте стан та функціональність нижнього захисного щитка, аби гарантувати, що він працює належним чином. Переконайтеся, що він вільно рухається й не торкається диска та інших деталей при всіх кутах і глибинах пиляння.

- Встановіть зовнішню затискну шайбу (n) на шпindel пилки, при цьому велика плоска поверхня повинна бути повернута до диска, а напис на зовнішній затискній шайбі повинен бути повернутий до вас.
- Руками закрутіть затискний гвинт диска (j) в шпindel пилки (гвинт має праву нарізь, тому при затягуванні його слід повертати за годинниковою стрілкою).
- Притисніть стопор диска (c) та продовжуйте обертати шпindel диска за допомогою ключа для диска, доки стопор диска не зафіксується, а диск не припинить обертання.
- Міцно затягніть затискний гвинт диска за допомогою ключа для диска (s).

ПРИМІТКА: Ніколи не задійте стопор диска під час роботи пилки і не намагайтесь зупинити інструмент за його допомогою. Ніколи не вмикайте пилку, коли стопор диска знаходиться в положенні фіксації. Це призведе до серйозного пошкодження вашої пилки.

Для заміни диска (Рис. В-D)

- Щоб послабити затискний гвинт диска (j), притисніть стопор диска (c) та провертайте шпindel диска за допомогою ключа для диска (s), доки стопор диска не зафіксується, а диск не припинить обертання. Після того як стопор диска встановлено в положення фіксації, перевіріть затискний гвинт диска проти годинникової стрілки за допомогою ключа для диска (гвинт має праву нарізь, тому при послабленні його слід повертати проти годинникової стрілки).
- Зніміть затискний гвинт диска (j) та зовнішню затискну шайбу (n). Зніміть старий диск.
- Очистіть пил, який може накопичуватися в зоні захисного щитка або затискача, а також перевірте стан та роботу захисного щитка, як зазначено раніше. Не змащуйте цю зону.
- Завжди використовуйте диски, які мають правильний розмір (діаметр), з відповідним розміром та формою центрального отвору для встановлення на шпindel пилки. Завжди пересвідчайтесь в тому, що максимальна рекомендована швидкість (об/хв), вказана на диску для пилки, відповідає або перевищує швидкість (об/хв) циркулярної пилки.

- Виконайте кроки з 1 по 5 розділу «Встановлення диска», переконавшись при цьому, що диск обертається у правильному напрямку.

НИЖНІЙ ЗАХИСНИЙ ЩИТОК ДЛЯ ПИЛЬНОГО ДИСКА



ОБЕРЕЖНО: Нижній захисний щиток диска – це запобіжний пристрій, який знижує ризик отримання серйозних травм.

Ніколи не використовуйте пилку, якщо нижній захисний щиток відсутній, пошкоджений, неправильно встановлений або не функціонує належним чином. Не розраховуйте на те, що захисний щиток диска зможе захистити вас за будь-яких обставин. Ваша безпека залежить від дотримання всіх застережень і запобіжних заходів, а також правильної роботи пилки. Кожного разу перед початком роботи переконайтеся, що нижній захисний щиток закритий належним чином. Якщо нижній захисний кожух відсутній або не функціонує належним чином, то його слід обслужити, перш ніж почати користуватися пилкою. Щоб гарантувати безпеку та надійність інструменту, його ремонт, обслуговування та налаштування повинні проводитись авторизованими сервісними центрами або іншими кваліфікованими організаціями, завжди з використанням ідентичних запасних частин.



ОБЕРЕЖНО: Ніколи не використовуйте пилку, якщо її нижній захисний щиток залишається у відкритому положенні через підкладання клина, мотузки, гумової стрічки або інших матеріалів. ВИКОРИСТАННЯ

Перевірка нижнього захисного щитка (Рис. А)

- Вимкніть інструмент та від'єднайте його від електромережі.
- Поверніть важіль нижнього захисного щитка (k) з повністю закритого у повністю відкрите положення.
- Відпустіть важіль та переконайтеся, що нижній захисний щиток (i) повертається в повністю закрите положення.

Інструмент слід обслужити у кваліфікованому сервісному центрі, якщо захисний щиток:

- не повертається у повністю закрите положення,
- рухається переривчасто або повільно, або ж
- доторкається до диска або інших частин інструмента на будь-яких кутах або глибини пиляння.

Пильні диски



ОБЕРЕЖНО: Щоб звести до мінімуму ризик пошкодження очей, завжди використовуйте засоби захисту очей. Твердосплавний диск виготовлений з твердого, але крихкого матеріалу.

Сторонні предмети в оброблюваній деталі, такі як дріт або цвяхи, можуть призвести до утворення тріщин або розламів. Використовуйте пилку тільки тоді, коли захисний щиток диска пилки встановлений належним чином. Завжди встановлюйте диск в правильному напрямку

обертання та надійно закріплюйте його; завжди використовуйте чистий та гострий диск.

Якщо вам потрібна допомога щодо пильних дисків, зверніться до місцевого дилера STANLEY.

Налаштування глибини різання (Рис. E-G)

1. Підніміть важіль регулювання глибини (р), щоб послабити кріплення.
2. Щоб отримати потрібну глибину різання, сумістіть виїмку (q) на ремінці для регулювання глибини з відповідною позначкою на верхньому захисному щитку диска (l).
3. Затягніть важіль регулювання глибини.
4. Для забезпечення максимально ефективного різання при використанні твердосплавних пильних дисків слід відрегулювати глибину занурення таким чином, щоб близько половини зуба диска проходили під поверхнею деревини, яку потрібно розрізати.
5. Метод перевірки правильної глибини різання показаний на рисунку G. Покладіть зразок матеріалу, який ви плануєте пиляти, уздовж диска, і подивіться, наскільки зуби диска виступають за матеріал.

Регулювання положення для різання під кутом (Рис. H)

Механізм регулювання положення для різання під кутом (g) можна регулювати між 0° та 45°.

1. Поверніть рукоятку регулювання положення для різання під кутом (f), щоб послабити кріплення.
2. Нахиліть опорну пластину до позначки потрібного кута на шарнірному кронштейні (u).
3. Поверніть рукоятку регулювання положення для різання під кутом, щоб затягнути кріплення.

Індикатор пропилу (Рис. I)

На передній частині башмака є індикатор пропилу (t) для вертикального різання та різання під кутом. Цей індикатор дає змогу вести пилку уздовж ліній пропилу, нанесених олівцем на оброблюваному матеріалі. Індикатор суміщається з лівою (внутрішньої) стороною пильного диска, завдяки чому проріз або «пропил», що вирізається диском під час руху інструменту, опиняється праворуч від індикатора. Засічки на опорній пластині позначають 0° та 45°.

Встановлення та регулювання паралельної напрямної лінійки (Рис. J)

Напрямна лінійка (w) використовується для пиляння по лінії, паралельній до краю оброблюваної деталі.

Встановлення (Рис. J-K)

1. Вставте ручку регулювання паралельної напрямної лінійки (x) у отвір (aa), як показано на рисунку J, утримуючи ручку в ослабленому положенні, аби пропустити паралельну лінійку через отвір.
2. Вставте паралельну лінійку (w) в опорну пластину (h), як показано на рисунку J.
3. Затягніть ручку регулювання паралельної напрямної лінійки (x).

Регулювання

1. Послабте ручку регулювання паралельної напрямної лінійки (x) та встановіть паралельну лінійку (w) в потрібне положення. Регулювання можна контролювати за допомогою шкали на паралельній лінійці.
2. Затягніть ручку регулювання напрямної лінійки (x).

Підготовка до роботи

- Переконайтеся в тому, що захисні щитки встановлені правильно. Захисний щиток пильного диска має знаходитись в закритому положенні.
- Переконайтеся в тому, що пильний диск обертається в тому самому напрямку, в якому вказує стрілка на диску.
- Не використовуйте занадто зношені пильні диски.

ВИКОРИСТАННЯ

Інструкції з використання



ОБЕРЕЖНО: Завжди дотримуйтесь інструкцій із техніки безпеки і відповідних норм.



ОБЕРЕЖНО: Для зменшення ризику травмування вимикайте інструмент і від'єднуйте його від мережі електроживлення перед встановленням і зніманням приладдя, перед налаштуванням, зміною регулювань і ремонтом. Раптове увімкнення може призвести до травмування.

Правильне положення рук (Рис. K)



ОБЕРЕЖНО: Щоб зменшити ризик отримання серйозної травми, **ЗАВЖДИ** тримайте руки в положенні, зображеному на рисунку.



ОБЕРЕЖНО: Щоб зменшити ризик отримання серйозної травми, **ЗАВЖДИ** міцно тримайте інструмент та будьте готові до його раптового руху.

Під час роботи однією рукою необхідно триматися за основну рукоятку інструменту (b), а іншою — за допоміжну рукоятку (e).

Увімкнення та вимкнення (запобіжний перемикач) (Рис. A)

Якщо ваша пилка оснащена запобіжним перемикачем для запобігання випадковому увімкненню, дотримуйтесь нижченаведених інструкцій.

Щоб увімкнути інструмент, натисніть кнопку розблокування (m), а потім натисніть перемикач УВІМК/ВИМК (a). Відпустіть кнопку розблокування (m).

Щоб вимкнути інструмент, відпустіть вимикач УВІМК/ВИМК (a). Завжди переводьте перемикач інструмента в положення ВИМК після завершення роботи та перед від'єднанням від електромережі.

ПРИМІТКА: Не вмикайте і не вимикайте інструмент, коли пильний диск торкається оброблюваної деталі або інших матеріалів.

Підтримка оброблюваної деталі (Рис. L-P)



ОБЕРЕЖНО: Щоб зменшити ризик отримання серйозних травм, підтримуйте оброблювану деталь належним чином та міцно тримайте пилку, щоб не допустити втрати контролю над нею.

На рисунках М та О зображено правильне положення пилки при різанні. На рисунках N та P зображено небезпечне положення. Руки слід тримати подалі від зони різання, а шнур живлення повинен знаходитись далеко поза зоною різання, щоб уникнути його захоплення інструментом або намотування на оброблювану деталь.

Щоб уникнути віддачі, ЗАВЖДИ тримайте дошку або панель ПОРУЧ із лінійою різання, (Рис. М та О). НЕ утримуйте дошку або панель далеко від лінії різання (Рис. N та P).

При роботі з пилкою утримуйте шнур живлення подалі від зони різання та не допускайте його потрапляння на оброблювану деталь.

ЗАВЖДИ ВІД'ЄДНУЙТЕ ПИЛКУ ПЕРЕД ЗДІЙСНЕННЯМ БУДЬ-ЯКИХ РЕГУЛЮВАНЬ! Розташуйте робочу заготовку «хорошим» боком (тобто, тим, зовнішній вигляд якого є більш важливим) донизу. Пила ріже знизу догори, тому будь-яке розщеплення деревини буде видимим на тій поверхні робочої заготовки, яка повернута до вас.

Різнання



ОБЕРЕЖНО: Під час роботи з цим інструментом ніколи не опускайте його згори донизу на оброблювану поверхню заготовки та не підводьте матеріал до інструмента.

Завжди надійно затискайте деталь та підводьте інструмент до заготовки, надійно тримаючи інструмент двома руками, як показано на рис. P. Розташуйте ширшу частину опорної пластини пилки на тій частині робочої заготовки, яка надійно зафіксована на опорі, а не на тій частині, яка впаде на землю після того, буде зроблено розріз. В якості прикладу на Рисунку P зображено ПРАВИЛЬНИЙ спосіб відрізання краю дошки. Завжди фіксуйте робочу заготовку в нерухомому стані. Не тримайте короткі заготовки руками! Не забувайте підтримувати ті частини оброблюваного матеріалу, які вільно звисають або далеко виступають під час роботи. Будьте обережні при розпилюванні матеріалу знизу.

Перед тим як торкатися пильним диском розпилюваного матеріалу, слід дочекатися, доки диск набере повну швидкість обертання. Якщо увімкнути пилку в момент, коли диск торкається розпилюваного матеріалу, або спробувати посунути диск вглиб пропилу, то це може спричинити віддачу.

Посувайте пилку вперед на такій швидкості, при якій диск ріже дерево без зусиль. Твердість і в'язкість можуть змінюватися навіть в межах однієї і тієї самої заготовки, а вузлуваті або вологі ділянки деревини можуть спричинити високе

навантаження на пилку. Коли це відбувається, зменшіть швидкість посування пилки вперед, але продовжуйте тиснути із силою, яка дозволить рухатися вперед без надмірного зменшення швидкості. Занадто інтенсивне посування пилки вперед може призвести до неакуратних та неточних розрізів, віддачі та перегрівання двигуна. Якщо ваш проріз почне зміщуватися з наміченої лінії, не намагайтесь силою повернути пильний диск на цю лінію. Відпустіть перемикач та дочекайтесь повної зупинки диска. Після цього ви можете відвести пилку, встановити її знову та почати новий пропил з місця на самому початку раніше зробленого неправильного пропилу. В будь-якому випадку, якщо пропили треба змістити вбік, то пилку слід спочатку відвести назад. При спробі змінити напрям руху всередині пропилу диск пилки може заблокуватися, що призведе до віддачі.

ПРИ БЛОКУВАННІ ПИЛКИ ВІДПУСТИТЬ ПУСКОВУ КНОПКУ ТА ПОТЯГНІТЬ ПИЛКУ НАЗАД, ДОКИ ВОНА НЕ ВИВІЛЬНИТЬСЯ. ПЕРЕД ТИМ ЯК ЗНОВУ УВІМКНУТИ ПИЛКУ, ПЕРЕКОНАЙТЕСЯ В ТОМУ, ЩО ДИСК ЗНАХОДИТЬСЯ ПРЯМО В ПРОПИЛІ ТА НЕ ТОРКАЄТЬСЯ ПЕРЕДНЬОГО КРАЮ ДЕРЕВИНИ НА ЛІНІЇ РІЗАННЯ.

Після завершення різання відпустіть пускову кнопку та дочекайтесь повної зупинки диска, перш ніж підняти пилку від робочої поверхні. Як тільки ви піднімете пилку, підпружинений телескопічний щиток автоматично закрийє пильний диск знизу. Пам'ятайте, що до цього моменту диск залишається відкритим.

Категорично забороняється торкатись пилки з-під низу оброблюваної заготовки. Якщо вам потрібно відвести телескопічний захисний щиток вручну (наприклад, це необхідно для вирізання пазів), завжди використовуйте важіль відведення.

ПРИМІТКА: При нарізанні тонких планок пильуйте, щоб дрібні відрізані шматки деревини не звисали з внутрішньої сторони захисного щитка.

Поздовжнє пиляння

Поздовжнє пиляння – це процес розрізання широких дошок на вузкі смуги шляхом пиляння деревини уздовж волокон. При такому типі пиляння спрямовувати пилку руками набагато складніше, тому рекомендується використовувати паралельну лінійку STANLEY (w).

Вирізнання пазів (Рис. O)



ОБЕРЕЖНО: Ніколи не фіксуйте захисний щиток пилки в піднятому положенні. Ніколи не рухайте пилку у зворотньому напрямку під час різання пазів. Це може спричинити вихід інструмента з поверхні робочої деталі й нанесення травми.

Різнання пазів виконується на підлозі, стіні або іншій пласкій поверхні.

1. Відрегулюйте опорну пластину пилки таким чином, щоб пиляння здійснювалося на потрібну глибину.
2. Нахиліть пилку вперед і покладіть передню частину опорної пластини на матеріал, що ріжеться.

3. За допомогою важеля нижнього захисного щитка підніміть нижній захисний щиток пильного диска у верхнє положення. Опускайте задню частину опорної пластини, доки зуби пильного диска не наблизяться впритул до лінії різання.
4. Відпустіть захисний щиток пильного диска (його контакт з робочою деталлю буде підтримувати її у повністю відкритому положенні на початку різання). Зніміть руку з важеля захисного щитка та міцно візьміться за допоміжну рукоятку (e), як показано на рисунку Р. Розташуйте своє тіло та руку таким чином, щоб ви могли протистояти віддачі у випадку її виникнення.
5. Перевірте поверхню різання перед увімкненням пилки.
6. Запустіть двигун і поступово опускайте пилку, доки опорна пластина не торкнеться матеріалу, що ріжеться. Рухайте пилку уздовж лінії різання, доки пиляння не буде завершено.
7. Перед виведенням пильного диска з матеріалу відпустіть вимикач і дозвольтє пильному диску повністю зупинитися.
8. Для виконання нового прорізу повторіть вищеописану процедуру.

Встановлення насадки для видалення пилу (Рис. А, Е, Q)

В комплект поставки вашої циркулярної пилки SC16 входить насадка для видалення пилу.

Процедура встановлення насадки для видалення пилу (Рис. Q)

1. Повністю послабте важіль регулювання глибини (Рис. Е, р).
2. Встановіть опорну пластину (Рис. А, h) в найнижче положення.
3. Сумістіть дві половини насадки для видалення пилу (y) над верхнім щитком диска (l), як показано на рисунку.
4. Вставте гвинти і надійно затягніть їх.

Видалення пилу (Рис. R)



ОБЕРЕЖНО: Ризик вдихання пилу. Щоб зменшити ризик травмування, ЗАВЖДИ носіть сертифіковану протипилову маску. Насадка для видалення пилу (y) входить в комплект поставки вашого інструмента. Вакуумні шланги найпоширеніших пневматичних систем відведення можна надягати прямо на насадку для видалення пилу.



ОБЕРЕЖНО: При розпилюванні деревини завжди використовуйте пневматичні системи відведення, які відповідають діючим нормам стосовно викидів пилу. Вакуумні шланги найпоширеніших пневматичних систем відсмоктування можна надягати прямо на вихідний отвір насадки для видалення пилу.

мінімальним технічним обслуговуванням. Тривала задовільна робота інструменту залежить від належного догляду та регулярного чищення.

- Необхідно регулярно очищувати вентиляційні прорізи в інструменті і зарядному пристрої за допомогою м'якої щітки або сухої тканини.
- Необхідно регулярно очищувати корпус двигуна за допомогою вологої тканини. Не використовуйте будь-яку очищувальну рідину на основі розчинників або абразивних речовин. Дане обладнання не призначене для обслуговування користувачем. В разі виникнення несправностей необхідно звернутися до авторизованого сервісного центру.

Підготовка до роботи

- Переконайтеся в тому, що захисні щитки встановлені правильно. Захисний щиток пильного диска має знаходитися в закритому положенні.
- Переконайтеся в тому, що пильний диск обертається в тому самому напрямку, в якому вказує стрілка на диску.
- Не використовуйте занадто зношені пильні диски.



Змашування

Ваш електричний інструмент не потребує додаткового змашування.



Очищення



ОБЕРЕЖНО: Видувати бруд і пил з корпусу дозволяється за допомогою сухого повітря під тиском по мірі накопичення бруду всередині і навколо вентиляційних отворів. Під час виконання цієї процедури необхідно використовувати засоби захисту очей і респіратор встановленого зразка.



ОБЕРЕЖНО: Для очищення неметалевих частин інструменту забороняється використовувати розчинники та агресивні хімічні речовини. Ці хімічні речовини можуть пошкодити матеріали, з яких складаються ці деталі. Для очищення потрібно використовувати суху ганчірку та м'який мильний розчин. Не дозволяється проникнення рідини всередину інструменту і занурення інструменту будь-якою частиною в рідину.

Для забезпечення БЕЗПЕКИ та НАДІЙНОСТІ інструменту ремонт, перевірку стану графітових щіток та їхню заміну, а також будь-які інші операції з технічного обслуговування мають проводити працівники сервісних центрів STANLEY, а для заміни потрібно використовувати тільки запасні частини Stanley.

Нижній захисний щиток

Нижній захисний щиток завжди повинен вільно повертатися і закриватися з повністю

ТЕХНІЧНЕ ОБСЛУГОВУВАННЯ

Конструкція інструмента STANLEY розрахована на роботу протягом тривалого періоду часу з

відкритого у повністю закриті положення. Перед початком різання завжди перевіряйте належне функціонування: відведіть щиток в повністю відкрите положення та відпустіть, щоб він опустився в закриті. Якщо щиток закривається повільно або закривається не повністю, його потрібно очистити або обслужити. Не використовуйте пилку, доки щиток не буде функціонувати належним чином. Для очищення захисного щитка використовуйте сухе повітря або м'яку щітку, щоб видалити всю накопичену тирсу або сміття з лінії проходження щитка та навколо пружини щитка. Якщо це не усуне проблему, пилку необхідно обслужити в авторизованому сервісному центрі.

Пильні диски

Затуплений диск може призвести до неефективного різання, перевантаження двигуна пилки, надмірного розщеплення деревини та підвищеного ризику віддачі. Замінюйте диски, коли просування пилки під час різання стає ускладненим, коли спостерігається перевантаження двигуна та коли пильний диск починає перегріватися. Рекомендується завжди тримати кілька додаткових дисків під рукою, щоб гострі диски завжди були доступні для негайного застосування. В більшості зон затуплені диски можна знову наточити. Затверділу смолу на диску можна змити за допомогою гасу, скипидару або очищувального засобу для печей. В операціях, які передбачають інтенсивне утворення нашарування на диску (наприклад, при роботі з сирим пиломатеріалом та деревиною, обробленою консервантами під тиском), можна використовувати диски з антиадгезивним покриттям.

ПРИЛАДДЯ



ОБЕРЕЖНО: Оскільки приладдя сторонніх виробників, що не входять до переліку приладдя STANLEY, не було випробоване з цим виробом, його використання може бути небезпечним. Для запобігання травмуванню необхідно використовувати лише рекомендовані компанією STANLEY приладдя та обладнання.

Детальну інформацію про доступне приладдя можна дізнатися у офіційного дилера.

ЗАХИСТ НАВКОЛИШНЬОГО СЕРЕДОВИЩА



Роздільний збір відходів. Забороняється утилізувати цей виріб разом зі звичайними побутовими відходами.

Якщо ви вирішите, що ваш виріб STANLEY необхідно замінити, або припините його використовувати, не викидайте його разом із побутовими відходами. Цей виріб підлягає роздільному збору відходів.



Компанія STANLEY має систему збору і повторної переробки виробів STANLEY після закінчення терміну експлуатації. Щоб скористатися перевагою цього сервісу, будь ласка, надішліть ваш виріб будь-якому уповноваженому представнику з ремонту, який збирає такі вироби від нашого імені.

Адресу вашого найближчого уповноваженого представника з ремонту можна дізнатися, звернувшись у регіональне представництво STANLEY за адресою, наведеною в цій інструкції. Крім того, список уповноважених представників з ремонту STANLEY, детальну інформацію про обслуговування після продажу та контактні дані можна знайти на сайті: www.2helpU.com.

ПРИМІТКИ

Одним із принципів політики STANLEY є постійне вдосконалення наших виробів, тому ми залишаємо за собою право змінювати характеристики нашої продукції без попереднього сповіщення. Перелік стандартного та додаткового обладнання може відрізнятися залежно від країни. Технічні характеристики виробів можуть відрізнятися залежно від країни. Повний асортимент продукції може бути доступний не в усіх країнах. З питання наявності наших продуктів зверніться до дилерів STANLEY

ІНФОРМАЦІЯ З ОБСЛУГОВУВАННЯ

Компанія STANLEY має широкую мережу власних та авторизованих сервісних центрів. Всі сервісні центри компанії STANLEY укомплектовано персоналом із відповідною підготовкою, який виконує ефективне і надійне сервісне обслуговування власників електричних інструментів. Щоб отримати додаткову інформацію про авторизовані сервісні центри, пораду технічного спеціаліста чи замовити ремонт та оригінальні запасні частини, зверніться до найближчого представництва STANLEY.

ТЕХНІЧНІ ДАНІ

ЦИРКУЛЯРНА ПИЛА		SC16
Напруга	V _{ЗМ.СТ.}	220~240
Частота	Гц	50-60
Споживана потужність	Вт	1600
Швидкість холостого ходу	хв ⁻¹	5500
Максимальний діаметр диска	мм	190
Максимальна глибина різання при		
90°	мм	65
45°	мм	50
Отвір диска	мм	20 / 30
Регулювання положення для різання під кутом	мм	45о
Вага	кг	3,90



Виробник:
"Stanley Black & Decker Deutschland GmbH" Black-&-Decker Str.40, D-65510 Idstein, Німеччина

KULLANIM AMACI

STANLEY daire testereniz SC16 ahşap kesim uygulamaları için tasarlanmıştır. Bu alet profesyonel kullanım içindir.

GÜVENLİK TALİMATLARI

Aşağıdaki tanımlar her işaret sözcüğü ciddiyet derecesini gösterir. Lütfen kılavuzu okuyunuz ve bu simgelere dikkat ediniz.



TEHLİKE: Engellenmemesi halinde ölüm veya ciddi yaralanma ile sonuçlanabilecek çok yakın bir tehlikeli durumu gösterir.



UYARI: Engellenmemesi halinde ölüm veya ciddi yaralanma ile sonuçlanabilecek potansiyel bir tehlikeli durumu gösterir.



DİKKAT: Engellenmemesi halinde önemsiz veya orta dereceli yaralanma ile sonuçlanabilecek potansiyel bir tehlikeli durumu gösterir.

İKAZ: Engellenmemesi halinde maddi hasara neden olabilecek, yaralanma ile ilişkisi olmayan durumları gösterir.



Elektrik çarpması riskine işaret eder.



Yangın riskini belirtir.



Uyarı: Yaralanma riskini azaltmak için, kullanım kılavuzunu okuyun.

GÜVENLİK TALİMATLARI**Genel elektrikli alet güvenlik uyarıları**

UYARI! Bu elektrikli alet ile verilen tüm güvenlik uyarıları, talimatlar, resimli açıklamalar ve teknik özellikleri okuyun. Aşağıda belirtilen tüm talimatların herhangi birisine uyulmaması elektrik çarpması, yangın ve/veya ciddi yaralanma riskine neden olabilir.

Bütün uyarı ve güvenlik talimatlarını ileride bakmak üzere saklayın. Aşağıda yer alan uyarılardaki «elektrikli alet» terimi şebeke elektriğiyle (kablolu) veya akü/pille (şarjlı) çalışan elektrikli aletinizi ifade etmektedir.

1. Çalışma alanının güvenliği

- Çalışma alanını temiz ve aydınlık tutun.** Karışık veya karanlık alanlar kazaya davetiye çıkartır.
- Elektrikli aletleri, yanıcı sıvılar, gazlar ve tozların bulunduğu yerler gibi yanıcı ortamlarda çalıştırmayın.** Elektrikli aletler, toz veya dumanları ateşleyebilecek kıvılcımlar çıkartır.
- Bir elektrikli aleti çalıştırırken çocuklardan ve etraftaki kişilerden uzak tutun.** Dikkatinizi dağıtıcı şeyler kontrolü kaybetmenize neden olabilir.

2. Elektrik güvenliği

- Elektrikli aletlerin fişleri prizlere uygun olmalıdır.** Fiş üzerinde kesinlikle hiçbir

değişiklik yapmayın. Topraklı elektrikli aletlerde hiçbir adaptör fişi kullanmayın. Değiştirilmemiş fişler ve uygun prizler elektrik çarpması riskini azaltacaktır.

- Borular, radyatörler, ocaklar ve buzdolapları gibi topraklanmamış yüzeylerle vücut temasından kaçının.** Vücudunuzun topraklanması halinde yüksek bir elektrik çarpması riski vardır.
- Elektrikli aletleri yağmura maruz bırakmayın veya ıslatmayın.** Elektrikli alete su girmesi elektrik çarpması riskini arttıracaktır.
- Elektrik kablosunu uygun olmayan amaçlarla kullanmayın.** Elektrikli aleti kesinlikle kablosundan tutarak taşımayın, çekmeyin veya prizden çıkartmayın. Kabloyu sıcağın, yağdan, keskin kenarlardan veya hareketli parçalardan uzak tutun. Hasarlı veya dolaşmış kablolar elektrik çarpması riskini artırır.
- Elektrikli bir aleti açık havada çalıştırıyorsanız, açık havada kullanıma uygun bir uzatma kablosu kullanın.** Açık havada kullanıma uygun bir kablondan kullanılması elektrik çarpması riskini azaltır.
- Eğer bir elektrikli aletin nemli bir bölgede çalıştırılması zorluyorsa, bir artık akım aygıtı (RCD) korumalı bir kaynak kullanın.** Bir RCD kullanılması elektrik şoku riskini azaltır.

3. Kişisel güvenlik

- Elektrikli bir aleti kullanırken her zaman dikkatli olun, yaptığınız işe yoğunlaşın ve sağlıklı davranın.** Elektrikli bir aleti yorgunken veya ilaç ya da alkolün etkisi altındayken kullanmayın. Elektrikli aletleri kullanırken bir anlık dikkatsizlik ciddi kişisel yaralanmayla sonuçlanabilir.
- Kişisel koruyucu ekipmanları mutlaka kullanın. Daima koruyucu gözlük takın.** Koşullara uygun toz maskesi, kaymayan güvenlik ayakkabıları, baret veya kulaklık gibi koruyucu donanımların kullanılması kişisel yaralanmaları azaltacaktır.
- İstem dışı çalıştırılmasını önleyin. Aleti güç kaynağına ve/veya aküye bağlamadan, yerden kaldırmadan veya taşımadan önce açma/kapama düğmesinin kapalı konumda olduğundan emin olun.** Aleti, parmağınız tetik üzerinde bulunacak şekilde taşımak veya açık konumdaki elektrikli aletleri elektrik şebekesine bağlamak kazaya davetiye çıkartır.
- Elektrikli aleti açmadan önce tüm ayarlamaları anahtarlarını çıkartın.** Elektrikli aletin hareketli bir parçasına takılı kalmış bir anahtar kişisel yaralanmaya neden olabilir.
- Ulaşmakta zorlandığınız yerlerde kullanmayın. Daima sağlam ve dengeli basın.** Bu, beklenmedik durumlarda elektrikli aletin daha iyi kontrol edilmesine olanak tanır.
- Uygun şekilde giyinin. Bol elbiseler giymeyin ve takı takmayın.** Saçınızı ve elbiselerinizi

hareketli parçalardan uzak tutun. Bol elbiseler ve takılar veya uzun saç hareketli parçalara takılabilir.

- g. Eğer kullandığınız üründe toz emme ve toplama özellikleri olan ataşmanlar varsa bunların bağlı olduğundan ve doğru şekilde kullanıldığından emin olun.** Bu toz toplama ataşmanların kullanılması tozla ilgili tehlikeleri azaltabilir.
- h. Aletlerin sık kullanımından edindiğiniz aşınalığı sizi dikkatsiz kılmasına ve alet güvenlik prensiplerini önemsememeye izin vermeyin.** Dikkatsiz bir eylem, bir saniyeden daha az sürede ciddi yaralanmalara neden olabilir.
- 4. Elektrikli aletlerin kullanımı ve bakımı**
- a. Elektrikli aleti zorlamayın. Uygulamanız için doğru elektrikli aleti kullanın.** Doğru elektrikli alet, belirlendiği kapasite ayarında kullanıldığında daha iyi ve güvenli çalışacaktır.
- b. Tetik açmıyor ve kapatıyorsa elektrikli aleti kullanmayın.** Tetikle kontrol edilemeyen tüm elektrikli aletler tehlikelidir ve tamir edilmesi gerekmektedir.
- c. Herhangi bir ayarlama, aksesuar değişimi veya elektrikli aletlerin saklanması öncesinde fişi güç kaynağından çekin ve/veya aküyü elektrikli aletten ayırın.** Bu tür önleyici güvenlik tedbirleri aletin istem dışı olarak çalıştırılması riskini azaltacaktır.
- d. Elektrikli aleti, çocukların ulaşamayacağı yerlerde saklayın ve elektrikli aleti tanımayan veya bu talimatları bilmeyen kişilerin elektrikli aleti kullanmasına izin vermeyin.** Elektrikli aletler, eğitimsiz kullanıcıların elinde tehlikelidir.
- e. Elektrikli aletleri ve aksesuarları iyi durumda muhafaza edin.** Hareketli parçalardaki hizalama hatalarını ve tutuklukları, parçalardaki kırılmalar ve elektrikli aletin çalışmasını etkileyebilecek tüm diğer koşulları kontrol edin. Hasarlı ise, elektrikli aleti kullanmadan önce tamir ettirin. Kazaların çoğu, elektrikli aletlerin bakımının yeterli şekilde yapılmamasından kaynaklanır.
- f. Kesim aletlerini keskin ve temiz tutun.** Bakımı uygun şekilde yapılmış keskin kesim uçlu kesim aletlerinin sıkışma ihtimali daha düşüktür ve kontrol edilmesi daha kolaydır.
- g. Elektrikli aleti, aksesuarlarını ve aletin diğer parçalarını kullanırken bu talimatlara mutlaka uyun ve çalışma ortamının koşullarını ve yapılacak işin ne olduğunu göz önünde bulundurun.** Elektrikli aletin öngörülen işlemler dışındaki işlemler için kullanılması tehlikeli durumlara neden olabilir.
- h. Kolları ve kavrama yüzeylerini kuru, yağsız ve gressiz tutun.** Kaygan kollar ve kavrama yüzeyleri, beklenmeyen durumlarda aletin güvenli bir şekilde taşınması ve kontrol edilmesine izin vermez.
- 5. Servis**

- a. Elektrikli aletinizi, sadece orijinal yedek parçaların kullanıldığı yetkili servise tamir ettirin.** Bu, elektrikli aletin güvenliğinin muhafaza edilmesini sağlayacaktır.

ÖZEL EK GÜVENLİK TALİMATLARI

Testereler için güvenlik talimatları

Kesme prosedürleri

- a. ⚠️ TEHLİKE! Ellerinizi bıçaktan ve kesim alanından uzak tutun. Diğer elinizi yardımcı kolun veya motor muhafazasının üzerinde tutun.** Testereyi iki elinizle tuttuğunuzda bıçağın elinizi kesme ihtimali ortadan kalkar.
- NOT:** Maksimum 140 mm veya daha küçük çapta bıçağı olan **daire testereler** için, «Diğer elinizi yardımcı kolun veya motor muhafazasının üzerinde tutun» ifadesi geçerli değildir.
- b. Üzerinde çalıştığınız parçaya alttan ulaşmayı denemeyin.** Bıçak muhafazası, üzerinde çalıştığınız parçanın altındayken sizi bıçaktan koruyamaz.
- c. Kesim derinliğini üzerinde çalıştığınız parçanın kalınlığına göre ayarlayın.** Üzerinde çalıştığınız parçanın alt tarafından en fazla tam bir bıçak dişinin biraz azı görünmelidir.
- d. Kesilen parçayı kesinlikle ellerinizde veya bacaklarınızın arasında tutmayın.** Üzerinde çalıştığınız parçayı dengeli bir platformda sabitleyin. Vücutla temas, bıçağın sıkışması ve kontrol kaybı ihtimalini en aza indirmek için üzerinde çalışılan parçayı destekleme önemlidir.
- e. Kesme aksesuarının gizli kablolarla temas edebileceği yerlerde çalışma yaparken elektrikli aleti yalıtımlı kavrama yüzeylerinde tutun.** Aletin «akım taşıyan» bir kabloyla temas eden metal kısımları da «akım taşıyıcı» hale gelecek ve kullanıcının çarpılmasına neden olabilir.
- f. Yarık açarken daime bir yarık siperliği veya düz kenarlı bir kılavuz kullanın.** Bu, kesim işleminin hassaslığını artırırken bıçağın sıkışma ihtimalini azaltır.
- g. Daima doğru boyut ve şekilde (yuvarlağa karşı baklava dilimli) deliklere sahip bıçakları kullanın.** Testerenin montaj donanımına uygun olmayan bıçaklar düzensiz çalışacak ve kontrol kaybına neden olacaktır.
- h. Hasarlı veya yanlış bıçak pullarını veya civataları kesinlikle kullanmayın.** Bıçak pulları ve civatalar testere için, en iyi performans ve güvenli çalışma için özel olarak tasarlanmıştır.

Ek güvenlik talimatları Testereler için ek güvenlik talimatları

Geri tepme ve ilgili uyarılar

- Geri tepme, sıkışan, yapışma yapan veya yanlış hizalanmış bir testere bıçağına karşı ani bir tepkidir ve testerenin kontrolsüz bir şekilde yukarı kalkıp üzerinde çalışılan parçadan kurtularak kullanıcıya doğru gelmesine neden olur;
- Bıçak, yarıta sıkıştırsa veya yarığa sıkıca

yapırsa, dönemize hale gelir ve motor tepkisi ünitesi hızlı bir şekilde kullanıcıya doğru atar;

- Kesim sırasında bıçağın hizası bozulursa veya bıçak bükülürse, bıçağın arka kenarındaki dişler ahşabın üst yüzüne girerek bıçağın yaraktan çıkmasına ve kullanıcıya doğru geri tepmesine neden olabilir.

Geride tepme, testerenin yanlış kullanılması ve/veya yanlış çalışma prosedürleri veya koşullarından kaynaklanır ve aşağıda da belirtilen uygun tedbirler alınarak önenebilir:

- a. **Testereyi her iki elinizle sıkıca kavrayın ve kollarınızı tepme kuvvetlerine karşı koyacak şekilde konumlandırın.** Vücudunuz testereyle aynı hizada değil, testerenin her iki tarafında olacak şekilde durun. Geride tepme, testerenin geriye sıçramasına neden olabilir ancak geri tepme kuvvetleri uygun tedbirler alınması halinde kullanıcı tarafından kontrol edilebilir.
- b. **Testere yapıştığında veya herhangi bir nedenden ötürü kesme işlemini sürdürmediğinde tetiği bırakın ve bıçak tümüyle durana kadar testereyi malzeme içinde hareketsiz bir şekilde tutun.** Testereyi, bıçak hareket halindeyken kesinlikle parçadan çıkarmayı veya çekmeyi denemeyin aksi takdirde geri tepme meydana gelebilir. Bıçağın yapışmasının nedenlerini araştırıp düzeltin.
- c. **Üzerinde çalıştığınız parçayı yeniden kesmeye başladığınızda, testere bıçağını yarıktan ortalarına ve testere dişlerinin malzemeye temas etmediğinden emin olun.** Testere bıçağı yapışırsa, testere yeniden çalıştırıldığında üzerinde çalıştığınız parçaya tırmanabilir veya geri tepebilir.
- d. **Bıçağın sıkışması ve tepme riskini en aza indirmek için büyük panelleri destekleyin. Büyük paneller kendi ağırlıklarıyla bükülebilir.** Panelin her iki taraftan altına, kesim hattının yakınına ve panelin kenarına yakın bir noktaya destekler koyulmalıdır.
- e. **Körelmiş veya hasarlı bıçakları kullanmayın.** Biçimi bozulmuş veya yanlış ayarlanmış bıçaklar dar yarıklara neden olarak aşırı sürtünme, bıçak yapışması ve geri tepmeye neden yol açarlar.
- f. **Bıçak derinliği ve açısı ayarını kilitleme kolları kesim işlemlerinden önce sıkılmalı ve sabitlenmelidir.** Kesim sırasında bıçak ayarında kayma meydana gelirse yapışmaya ve geri tepmeye neden olabilir.
- g. **Mevcut duvarlara veya diğer kör alanlarda «dikine kesim» yaparken son derece dikkatli olunmalıdır.** Çıkıntı yapan bıçak geri tepmeye neden olabileceği nesnelere kesilebilir.

Alt muhafaza için güvenlik talimatları

- a. **Her kullanımdan önce alt muhafazanın doğru kapanıp kapanmadığını kontrol edin.** Alt muhafaza serbestçe ve yeterince yakın hareket etmiyorsa testereyi kullanmayın. Alt muhafazayı kesinlikle açık konumda sabitlemeyin veya bağlamayın. Testere kazara düşerse, alt muhafaza yamulabilir. Alt muhafazayı geri çekme koluyla kaldırıp tüm kesim açılı ve derinliklerinde serbest

bir şekilde hareket ettiğinden ve bıçağa veya başka herhangi bir parçaya temas etmediğinden emin olun.

- b. **Alt muhafaza yayının çalışmasını kontrol edin.** Muhafaza ve yay doğru bir şekilde çalışmıyorsa kullanılmadan önce bakımları yapılmalıdır. Alt muhafaza hasarlı parçalar, yapışkan tortular veya moloz birikmesi nedeniyle yavaş çalışabilir.
- c. **Alt muhafaza, sadece «dikine kesimler» ve «birleşik kesimler» gibi özel kesimlerde elle geri çekilmelidir.** Alt muhafazayı geri çekme koluyla kaldırın ve bıçak malzemeye girer girmez alt muhafazayı bırakın. Tüm diğer kesim işleri için alt muhafaza otomatik olarak çalıştırılmalıdır.
- d. **Testereyi tezgaha veya yere bırakırken alt muhafazanın bıçağı kapattığından her zaman emin olun.** Korunmayan, açıkta duran bıçak, testerenin geriye yürüyerek yolundaki her şeyi kesmesine neden olacaktır. Düşme bırakıldıktan sonra bıçağın durması için biraz zaman gerektiğini unutmayın.

DAİRE TESTERELERİ İÇİN EK GÜVENLİK TALİMATLARI

- **Kulaklık takın.** Yüksek sese maruz kalmak işitme kaybına yol açabilir.
- **Toz maskesi takın.** Toz partiküllerine maruz kalmak solunum zorluğuna ve olası yaralanmalara neden olabilir.
- **Tavsiye edilenden daha büyük veya daha küçük çaplarda bıçak kullanmayın.** Uygun bıçak hızı için teknik verilere bakın. Sadece bu kılavuzda belirtilen, EN 847-1 ile uyumlu bıçakları kullanın.
- **Asla aşındırıcı kesme diskleri ve elmas disklerini kullanmayın.** Beton, tuğla, çelik veya diğer sert malzemeleri kesmeyin.
- **Su besleme ataşmanlarını kullanmayın.**
- **Üzerinde çalıştığınız parçayı sabitlemek ve desteklemek için kelepçeler veya başka pratik yöntemler kullanın.** Parçayı elle veya vücudunuza dayamanız dengesiz durmasına neden olacaktır ve aletin kontrolünü kaybetmeniz yol açabilir.
- **Bu testereyi tezgah tipi testere olarak kullanmayın.**

Ek güvenlik talimatları



UYARI: Alet, 30mA akımı aşmayan akım kesici cihazla beraber kullanılmaya tavsiye edilir.

Diğer kişilerin güvenliği

- Bu alet fiziksel ve zihinsel kapasitesinin yanı sıra algılama gücü azalmış olan veya yeterince deneyim ve bilgisi bulunmayan kişiler (çocuklar dahil) tarafından kullanılmak üzere üretilmemiştir. Bu tür kişiler aleti ancak güvenliklerinden sorumlu bir kişi tarafından cihazın kullanımıyla ilgili talimatların verilmesi veya sürekli kontrol altında tutulması durumunda kullanılabilir.
- Çocuklar, aletle oynamalarını önlemek amacıyla kontrol altında tutulmalıdır.

DİĞER TEHLİKELER

Emniyet tedbirlerini düzenleyen yönetmeliğin uygulanmasına ve emniyet sağlayıcı aygıtların kullanılmasına rağmen, başka belirli risklerden kaçınılamaz. Bunlar:

- Duyma bozukluğu
- Sıçrayan parçacıklardan kaynaklanan yaralanma riski.
- Çalışma sırasında ısınan aksesuarlardan kaynaklanan yanık tehlikesi.
- Uzun süreli kullanımdan kaynaklanan yaralanma riski.
- Tehlikeli maddeler içeren tozun oluşması riski.

ELEKTRİK GÜVENLİĞİ



Bu alet çift yalıtımlıdır. Bu yüzden hiçbir topraklama kablosuna gerek yoktur. Her zaman şebeke geriliminin aletin üretim etiketinde belirlenmiş değerlere uyup uymadığını kontrol edin.



UYARI! Elektrik kablosu hasarlı ise, bir tehlike oluşmasını önlemek için üretici ya da yetkili STANLEY Servis Merkezi tarafından değiştirilmelidir. Elektrik kablosu STANLEY yetkili servisi haricinde değiştirilirse, garanti geçerli olmayacaktır.

UZATMA KABLOLARININ KULLANIMI

Bir uzatma kablosu gerekli ise, bu aletin elektrik girişine uygun (Teknik Özellikleri bölümüne bakın), onaylı bir 3 telli uzatma kablo kullanın. Minimum iletken boyutu 1,5 mm²'dir; maksimum uzunluk 30 m'dir. Bir kablo makarası kullanırken, kabloyu daima sonuna kadar açın.

İletken boyutu (mm2) Kablo gücü (Amper)	İletken boyutu (mm2) Kablo gücü (Amper)
0.75	6
1.00	10
1.50	15
2.50	20
4.00	25

Kablo uzunluğu (m)

	7.5	15	25	30	45	60

Voltaj	Amper	Kablo gücü (Amper)					
110-127	0 - 2.0	6	6	6	6	6	10
	2.1 - 3.4	6	6	6	6	15	15
	3.5 - 5.0	6	6	10	15	20	20
	5.1 - 7.0	10	10	15	20	20	25
	7.1 - 12.0	15	15	20	25	25	-
	12.1 - 20.0	20	20	25	-	-	-
220-240	0 - 2.0	6	6	6	6	6	6
	2.1 - 3.4	6	6	6	6	6	6
	3.5 - 5.0	6	6	6	6	10	15
	5.1 - 7.0	10	10	10	10	15	15
	7.1 - 12.0	15	15	15	15	20	20
	12.1 - 20.0	20	20	20	20	25	-

ALET ÜZERİNDEKİ ETİKETLER

Aletin etiketinde aşağıdaki semboller bulunabilir:

	UYARI! Yaralanma riskini en aza indirmek için kullanıcı kullanım talimatlarını mutlaka okumalıdır.		
	Koruyucu gözlük takın.		
	Kulaklık takın.		
	Toz maskesi takın.		
V	Volt	---	Doğru akım
A	Amper	n ₀	Yüksüz hızı
Hz	Hertz		Çift yalıtım
W	Watt		Topraklı terminal
min	dakikalar		Güvenlik uyarı sembolü
	Dalgalı akım	/min.	Dakikada devir veya darbe sayısı

Tarih kodu konumu

İmalat yılını da içeren Tarih Kodu gövdeye basılıdır.
Örnek:

2017 XX JN

İmalat Yılı

AMBALAJ, AŞAĞIDAKİ PARÇALARI İÇERMEKTEDİR

- 1 Daire testere
- 1 Daire testere bıçağı
- 1 Bıçak anahtarı
- 1 Paralel kesme kılavuzu
- 1 Toz emme ağız
- 1 Kullanım kılavuzu

- Alette, parçalarda veya aksesuarlarda nakliye sırasında meydana gelmiş olabilecek hasarı kontrol edin.
- Aleti çalıştırmadan önce, bu kullanım kılavuzunu baştan sonra okuyup anlamak için gerekli zamanı ayırın.

ÖZELLİKLER (ŞEKİL A)

UYARI: Hiçbir zaman elektrikli aleti veya herhangi bir parçasını değiştirmeyin. Hasarla veya yaralanmayla sonuçlanabilir.

- a. Açma/kapama tetik düğmesi
- b. Ana kol
- c. Bıçak kilidi
- d. Arka kapağı
- e. İkinci tutma kolu
- f. Zıvana ayarlama kolu
- g. Zıvana açısı ayarlama mekanizması
- h. Taban plakası
- i. Alt bıçak muhafazası
- j. Bıçak tutma vidası
- k. Alt muhafaza kolu
- l. Üst muhafaza
- m. Tetik kilidi düğmesi



UYARI: Bu ağır hizmet tipi daire testereler profesyonel aışşap kesme uygulamaları için tasarlanmıştır. Bu testere ile su besleme ataşmanlarını KULLANMAYIN. Aşındırıcı diskleri veya bıçakları KULLANMAYIN. Islak koşullarda veya yanıcı sıvı ya da gazların mevcut olduğu ortamlarda KULLANMAYIN. Elmas diskleri kullanmayın.

Bu ağır hizmet tipi daire testereler profesyonel elektrikli aletlerdir. Çocukların aleti ellemesine İZİN VERMEYİN. Bu alet deneyimsiz kullanıcılar tarafından kullanılırken nezaret edilmelidir

- Bu ürün fiziksel ve zihinsel kapasitesinin yanı sıra algılamaya gücü azalmış olan veya yeterince deneyim ve bilgisi bulunmayan kişiler (çocuklar dahil) tarafından kullanılmak üzere üretilmemiştir. Bu tür kişiler ürünü ancak güvenliklerinden sorumlu bir kişi tarafından cihazın kullanımıyla ilgili talimatların

verilmesi veya sürekli kontrol altında tutulması durumunda kullanılabilir. Çocuklar, bu ürün ile kontrol altında tutulmalıdır.

KULLANMADAN ÖNCE

- Aleti ilk kez kullanmadan önce pratik bilgi almanız önerilir.
- Her zaman şebeke gerilimi voltajının ürün etiketindeki ile aynı olup olmadığını kontrol edin
- Gizli kablo/boru hatlarını bulmak için uygun dedektörleri kullanın veya yardım için yerel kamu hizmeti şirketini arayın (elektrik hatları ile temas, yangına veya elektrik çarpmasına neden olabilir; gaz hattına zarar vermek patlamaya neden olabilir; bir su borusu ile temas, maddi hasara veya elektrik çarpmasına neden olur).
- Asbest içeren malzemeleri kullanmayın (asbest kanserojen bir madde olarak kabul edilir).
- Kurşun içeren boya, bazı odun türleri, mineraller ve metal gibi maddelerden gelen tozlar zararlı olabilir (tozla temas veya solunması, alerjik reaksiyonlara ve/veya kullanıcılar veya etraftaki kişiler için solunum yolu hastalıklarına neden olabilir); toz maskesi takın ve bağlanabilecek bir toz atma aygıtı ile çalışın.
- Bazı ağaç tozu türleri (meşe ve kayın tozu gibi), özellikle ağaçlandırma için katkı maddeleri ile bağlantılı olarak kanserojen olarak sınıflandırılır; toz maskesi takın ve bağlanabilecek bir toz atma aygıtı ile çalışın.
- Çalışmak istediğiniz malzemeler için tozla ilgili ulusal gereklilikleri takip edin.
- Aleti mengene ile sabitlemeyin.
- 16 Amper kapasiteli tamamen açılan ve güvenli uzatma kabloları kullanın.

KULLANIMDAN SONRA

Aleti kapattıktan sonra, aksesuarın dönüşünü hiçbir zaman aksi yönde uygulanan yanıl bir kuvvetle durdurmayın.

MONTAJ VE AYARLAMA

UYARI: Ciddi yaralanma riskini azaltmak için herhangi bir ayar yapmadan ya da parça veya aksesuarları söküp takmadan önce aleti kapatın ve güç kaynağından ayırın. Aleti yeniden bağlamadan önce aletin kapalı olduğundan emin olmak için tetiğe basıp bırakın. Aletin yanlışlıkla çalıştırılması yaralanmaya neden olabilir.

BİÇAKLARI DEĞİŞTİRME

DIKKAT: İç flanş, bir tarafta 20 mm çapında, diğer tarafında 30 mm çapındadır. 30 mm çapında taraf «30», diğer 20 mm çapında taraf ise «20» ile işaretlenmiştir. Kullanmak istediğiniz bıçağın delik çapı için doğru tarafı kullanın. Bıçağın yanlış tarafa takılması tehlikeli titreşime neden olabilir.

Bıçak takılması (Şekil A-D)

1. Alt muhafaza kolunu (k) kullanarak alt bıçak muhafazasını (i) geri çekin ve bıçağı testere miline

İç mengene pulu (o) üzerine yerleştirin. Bıçağın doğru yönde dönmeye başladığından emin olun (testere bıçağı üzerindeki dönme yönü oku ve bıçak dişleri testere üzerindeki dönme yönü oku ile aynı yönde olmalıdır). Doğru takıldığında, bıçak üzerindeki baskının her zaman size dönük olacağını varsaymayın. Bıçağı takmak için alt bıçak muhafazasını geri çekerken, düzgün çalıştığından emin olmak için alt bıçak muhafazasının durumunu ve çalışmasını kontrol edin. Muhafazanın tüm kesim açılarını ve derinliklerini serbest bir şekilde hareket ettirdiğinden ve bıçağa veya başka herhangi bir parçaya temas etmediğinden emin olun.

2. Dış mengene pulunu (n), düz yüzeyi bıçağa ve mengene pulu üzerindeki işaretleme size bakacak şekilde testere miline yerleştirin.
3. Bıçak tutma vidasını (j) testere miline elle vidalayın (vida sağ dişe sahiptir ve sıkılmak için saat yönünde çevrilmelidir).
4. Bıçak kilidi devreye girip bıçak dönmeyi durdurana kadar bıçak kilidine (c) basın ve aynı zamanda bıçak anahtarı kullanarak testere milini çevirin.
5. Bıçak anahtarı (s) ile bıçak tutma vidasını iyice sıkın.

NOT: Alet çalışırken asla bıçağı kilitlemeyin ve güç kullanarak aleti durdurmayın. Bıçak kilitli halindeyken hiçbir zaman testereyi çalıştırmayın. Bu alette ciddi zarara yol açabilir.

Bıçak değiştirilmesi (Şekil B-D)

1. Bıçak tutma vidasını (j) gevşetmek için bıçak kilidi devreye girip bıçak dönmeyi durdurana kadar bıçak kilidine (c) basın ve bıçak anahtarı (s) ile testere milini çevirin. Bıçak kilitli halindeyken, bıçak anahtarıyla bıçak tutma vidasını saatin ters yönünde çevirin (vida sağ dişe sahiptir ve gevşetmek için saatin ters yönünde çevrilmelidir).
2. Bıçak tutma vidasını (j) ve dış mengene pulunu (n) çıkartın. Eski bıçağı çıkartın.
3. Muhafaza veya mengene pulu üzerindeki birikmiş olabilecek herhangi bir tozu temizleyin ve daha önce belirtildiği gibi alt bıçak muhafazasının durumunu ve çalışmasını kontrol edin. Bu bölgeyi yağlamayın.
4. Daima testere miline monte etmek için uygun boyutlu ve şekilli merkez deliğine sahip olan doğru boyuttaki (çap) bıçakları kullanın. Daima testere bıçağının maksimum hızının (dev/dak.) testere hızıyla (dev/dak.) aynı veya testere hızını aştığından emin olun.
5. «Bıçak Takılması» bölümündeki 1 – 5 adımlarını takip edin ve bıçağın doğru yönde döneceğinden emin olun.

ALT BIÇAK MUHAFAZASI



UYARI: Alt bıçak muhafazası ciddi kişisel yaralanma riskini azaltan bir güvenlik özelliğidir. Alt bıçak muhafazası yerinde değil, hasarlı, yanlış takılmış veya düzgün çalışmıyor ise testereyi asla kullanmayın. Alt bıçak muhafazasının her koşullarda sizi koruyacağına güvenmeyin. Güvenliğiniz, tüm uyarı ve tedbirleri takip etmenizin yanı sıra testerenin düzgün çalışmasına bağlıdır. Her kullanımdan önce alt muhafazanın doğru kapanıp

kapanmadığını kontrol edin. Alt bıçak muhafazası yerinde değil veya düzgün çalışmıyor ise testereyi kullanmadan tamir ettirin. Alet emniyet güvenliği ve güvenilirlik için tamir, bakım ve ayarlamaların her zaman orijinal yedek parça kullanılarak, yetkili servisler veya eğitimli elektrikli el aleti tamir personeli tarafından yapılması gerekmektedir.



UYARI: Alt muhafazasını takoz, ip, lastik bant veya başka malzemeleri kullanarak açmaya asla çalışmayın.

Alt muhafazasının kontrol edilmesi (Şekil A)

1. Aleti kapatın ve fişini şebekeden çekin.
2. Alt muhafaza kolunu (k) tamamen kapalı konumdan tamamen açık konuma getirin.
3. Alt muhafaza kolunu (k) bırakın ve alt muhafazanın (i) tamamen kapalı konuma dönüp dönmediğini kontrol edin.

Alet yetkili bir servis tarafından tamir edilmesi gerekir, eğer:

- muhafaza tamamen kapalı konumuna dönmez,
- muhafaza aralıklı veya yavaş hareket eder veya
- muhafaza testere bıçağına veya aletin herhangi bir parçasına tüm açılarda ve kesme derinliklerinde temas eder ise.

Bıçaklar



UYARI: Göz yaralanma riskini en aza indirmek için her zaman koruyucu gözlük takın. Karpit sert ama kırılabilir bir malzemedir. Çalışma parçasındaki tel veya çiviler gibi yabancı nesnelere uçları kırılabilir veya sıçrama olabilir. Testereyi sadece bıçak muhafazası yerinde doğru bir şekilde takılmış halindeyken kullanın. Testereyi kullanmadan önce bıçağı dönme yönünü gözlemleyerek doğru bir şekilde takın ve her zaman temiz ve keskin bıçakları kullanın.

Bıçaklarla ilgili yardıma ihtiyacınız varsa, lütfen yerel STANLEY satıcınıza başvurun.

Kesme derinliği ayarı (Şekil E-G)

1. Kesme derinliği ayarlama kolunu (p) kaldırarak gevşetin.
2. Doğru kesme derinliğini elde etmek için, derinlik ayarlama kayışındaki çıkıntıyı (q) üst bıçak muhafazasındaki (l) uygun bir işaretle hizalayın.
3. Kesim derinliği ayarlama kolunu sıkın.
4. Karpit ucu testere bıçağı kullanarak en verimli kesme işlemi için kesme derinliğini, bir dişin yaklaşık yarısı kesilen ahşap yüzeyinin altından çıkacak şekilde ayarlayın.
5. Doğru kesme derinliğinin kontrol edilmesi için bir yöntem Şekil G'de gösterilmektedir. Kesmeyi planladığınız malzemenin bir parçasının kenarı boyunca bıçağı yerleştirin ve bıçağın dışın malzemenin altından ne kadar çıktığına dikkat edin.

Zıvana açısı ayarı (Şekil H)

Zıvana açısı ayarlama mekanizması (g) 0° ve 45° arası ayarlanır.

1. Zıvana ayarlama kolunu (f) çevirerek gevşetin.

2. Taban plakasını, dönebilen braketle (u) istenen açı işaretine kadar eğin.
3. Açı ayarlama kolunu çevirerek yeniden sıkın.

Kesik göstergesi (Şekil I)

Testere tabanının ön tarafında, dikey ve açılı kesim için bir kesik göstergesi (t) vardır. Bu gösterge testereyi kesilen malzemenin üzerine çizilen kesme hatlarını boyunca yönlendirmenizi sağlar. Gösterge, testere bıçağının sol (iç) tarafı ile hizalanır, bu da bıçağın göstergenin sağına hareket ederken kesilen yuva veya «kesik» yapar. Taban plakasında 0° ve 45° işaretleyen çıkıntılar vardır.

Paralel kesme kılavuzunun takılması ve ayarlanması (Şekil J)

Paralel kesme kılavuzu (w), üzerinde çalıştığınız parçanın kenarına paralel kesmek için kullanılır.

Takılması (Şekil J-K)

1. Paralel kesme kılavuzunun ayarlama düğmesini (x) Şekil J'de gösterildiği gibi deliğe (aa) takın; paralel kesme kılavuzunun geçmesine izin vermek için düğmeyi gevşek tutun.
2. Paralel kesme kılavuzunu (w) Şekil J'de gösterildiği gibi taban plakasının (h) içine sokun.
3. Paralel kesme kılavuzunun ayarlama düğmesini (x) sıkın.

Ayarlanması

1. Paralel kesme kılavuzunu ayarlama düğmesini (x) gevşetin ve kılavuzu (w) istediğiniz derinliğe ayarlayın. Ayarlama, paralel kesme kılavuzunun ölçeğinden okunabilir.
2. Paralel kesme kılavuzunun ayarlama düğmesini (x) sıkın.

Çalıştırmadan önce

- Muhafazaların doğru bir şekilde monte edilmiş olduğundan emin olun. Bıçak muhafazası kapalı konumda olmalıdır.
- Testere bıçağının, bıçak üzerindeki ok yönünde dönmeye dikkat edin.
- Aşırı yıpranmış testere bıçakları kullanmayın.

KULLANIM

Kullanım talimatları



UYARI: Güvenlik talimatlarına ve geçerli yönetmeliklere daima uyun.



UYARI: Yaralanma riskini azaltmak için aksesuarları takip çıkarmadan önce, ayarlarla oynamadan veya değiştirmeden önce ya da tamir yaparken aleti kapatın ve makineyi güç kaynağından ayırın. Aletin yanlışlıkla çalıştırılması yaralanmaya neden olabilir.

Uygun el pozisyonu (Şekil K)



UYARI: Ciddi yaralanma riskini azaltmak için, DAİMA şekilde gösterilen uygun el pozisyonunu kullanın.



UYARI: Ciddi yaralanma riskini azaltmak için, ani tepki ihtimaline karşı aleti DAİMA sıkıca tutun.

Doğru el pozisyonu; bir el ana kolun (b), diğer el ikinci tutma kolunun (u) üzerine olacak şekilde dir.

Açılması ve kapatılması (emniyet şalteri) (Şekil A)

Eğer testerenizde istem dışı kullanmayı önlemek için emniyet tetiği bulunuyorsa aşağıdaki talimatları takip edin.

Aleti çalıştırmak için tetik kilidi düğmesine (m) basın ve daha sonra açma/kapama tetik düğmesine (a) basın. Tetik kilidi düğmesini (m) bırakın.

Aleti durdurmak için açma/kapama tetik düğmesini (a) bırakın. Çalışma bittiğinde ve prizden çıkarmadan önce her zaman aleti kapatın.

İKAZ: Bıçak, üzerinde çalışılan parçaya veya diğer malzemelere temas halindeyken aleti AÇMAYIN veya KAPATMAYIN.

Malzeme desteği (Şekil L-P)



UYARI: Ciddi yaralanma riskini azaltmak için ve kontrol kaybını önlemek için iş parçasını düzgün bir şekilde destekleyin ve testereyi sıkıca tutun.

Şekil M ve O'da doğru testere pozisyonu gösterilmektedir. Şekil N ve P'de tehlikeli bir durum gösterilmektedir. Eller kesme alanından uzak tutulmalı ve güç kablosu kesim alanından uzak kalacak şekilde yerleştirilmelidir; böylece işin üzerine takılıp takılmaz.

Geri tepmeyi önlemek için, DAİMA tahta veya paneli kesim hattının YANINDA destekleyin (Şekil M ve O). Kesimden uzakta tahta veya paneli DESTEKLEMİYİN (Şekil N ve P).

Testereyi kullanırken, kabloyu kesim alanından uzak tutun ve iş parçasına takılmasını önleyin.

HERHANGİ BİR AYARLAMA YAPMADAN ÖNCE DAİMA TESTERENİN FİŞİNİ ŞEBEKEDEN ÇEKİN! Çalışma parçasının «iyi» tarafını, yani görünüşün en önemli olduğu olanı aşağıya bakacak şekilde yerleştirin. Testere yukarı doğru keser, böylece kıymıklar gördüğünüz iş yüzeyinde olur.

Kesme



UYARI: Bu aleti hiçbir zaman bir çalışma yüzeyinde baş aşağı tutarak ve malzemeyi alete getirerek kullanmaya çalışmayın. İş

parçasını her zaman güvenli bir şekilde sabitleyin ve aleti, Şekil P'de gösterildiği gibi iki elinizle güvenli bir şekilde tutarak, iş parçasına getirin. Testere taban plakasının daha geniş kısmını, kesimin yapıldığında yere düşecek olan kısmın üzerine değil, sağlam bir şekilde desteklenen iş parçasının üzerine yerleştirin. Örnek olarak, Şekil P'de bir tahtanın ucunu kesmek için DOĞRU bir yol gösterilmektedir. İş parçasını her zaman sabitleyin. Kısa parçaları elle tutmaya çalışmayın! Konsollu ve sarkan malzemeyi desteklemeyi unutmayın. Alttan malzeme keserken dikkatli olun.

Bıçak kesilecek malzeme ile temasa gelmeden önce testerenin tam hızla ulaştığından emin olun. Bıçağın malzeme ile temas ettiğinde testereyi açmak veya testereyi kesik içine itmek geri tepmeye neden olabilir.

Testereyi, bıçağın zorlamadan kesmesine izin veren bir hızda ileri doğru itin. Sertlik ve tokluk aynı

malzeme parçasında bile değişebilir ve düğümlü veya nemli bölümler testereyi zorlayabilirler. Bu durum olduğunda testereyi daha yavaş, ancak hızda fazla bir düşüş olmadan çalışmaya devam edecek kadar sert bir şekilde itin. Testereyi zorlamak, kaba kesimlere, hatalara, geri tepmeye ve motorun aşırı ısınmasına neden olabilir. Kesiminiz hattan ayrılmaya başlarsa, zorla yönü değiştirmeye çalışmayın. Tetik düğmesini bırakın ve bıçağın tamamen durmasını bekleyin. Sonra testereyi malzemedan kaldırın,kesimi gözden geçirin ve hatalı kesim içinde yeni bir kesim yapın. Kesimi düzeltmek gerektiğinde her halükarda ilk önce testereyi malzemedan kaldırın. Kesimin içinde bir düzeltmeye zorlamak testereyi durdurabilir ve geri tepmeye neden olabilir.

TESTERE TUTUKLUK YAPARSA TETİK DÜĞMESİNİ BIRAKIN VE ÇIKANA KADAR TESTEREYİ GERİ ÇEKİN. TEKRAR BAŞLAMADAN ÖNCE BIÇAĞIN KESİM YERİNDE DÜZ DURDUĞUNDAN VE KESİM KESİTİNDE OLMADIĞINDAN EMİN OLUN.

Kesimi tamamladıktan sonra, tetik düğmesini bırakın ve testereyi malzemedan kaldırmadan önce bıçağın durmasına izin verin. Testereyi kaldırırken, yay gerilmeli teleskopik muhafaza otomatik olarak bıçağın altında kapanacaktır. Bu olana kadar bıçağın açıkta olacağını unutmayın.

Çalıştığınız parçanın altına hiçbir nedenle girmeyin. Teleskopik muhafazayı elle çekerek (cep açmaya başlamak için gerektiği gibi) her zaman geri çekme kolunu kullanın.

NOT: İnce parçaları keserken, küçük parçaların alt muhafazanın içine kaçmadığından emin olun.

Yarık açma

Yarık açma, geniş tahtaları damar boyunca keserek daha ince şeritler haline getirmedir. Bu tip kesim için elle kullanım daha zordur ve bir STANLEY paralel kesme kılavuzunun (w) kullanılması tavsiye edilmektedir.

Cep açma (Şekil O)



UYARI: Bıçak muhafazasını kaldırılmış pozisyonda asla bağlamayın. Cep açma esnasında testereyi asla geriye doğru hareket ettirmeyin. Bu işlem aletin iş parçası yüzeyinden yukarı kalkmasına ve yaralanmalara sebep olabilir.

Cep açma, zemin, duvar veya diğer düz yüzeyde yapılan bir kesimdir.

1. Testere taban plakasını, bıçağın istenen derinlikte kesim yapacağı şekilde ayarlayın.
2. Testereyi ileri doğru eğin ve taban plakasının ön kısmını kesilecek malzemenin üzerine yerleştirin.
3. Alt bıçak muhafazası kolunu kullanarak alt bıçak muhafazasını en üst pozisyonuna kaldırın. Testerenin taban plakasının arka kısmını, bıçak dişleri kesim hattına neredeyse değene kadar aşağıya indirin.
4. Bıçak muhafazasını bırakın (iş parçasıyla temasta olması, siz kesime başlarken onu serbestçe açılacak pozisyonda tutacaktır). Şekil P'de gösterildiği gibi muhafazadan elinizi çekin ve ikinci tutma kolunu

(e) sıkıca tutun. Vücutunuzu ve kolunuzu geri tepme güçlerine dayanacak şekilde konumlandırın.

5. Kesim başlamadan önce bıçağın kesilecek yüzeyle temas halinde olmadığından emin olun.
6. Motoru çalıştırın ve testere taban plakasını kesilecek malzemenin üzerinde düz bir şekilde durana kadar testereyi kademeli olarak alçaltın. Kesim bitene kadar testereyi kesme hattında ilerletin.
7. Tetik düğmesini bırakın ve bıçağı malzemedan çekmeden önce bıçağın tamamen durmasını bekleyin.
8. Her yeni bir kesime başlamak için yukarıdaki adımları tekrarlayın.

Toz atma çıkışının takılması (Şekil A, E, Q)

SC16 daire testerenin toz atma çıkışı ile birlikte sunulur.

Toz atma çıkışını takmak için (Şekil Q)

1. Kesim derinliği ayarlama kolunu tamamen gevşetin (Şekil E, p).
2. Taban plakasını (Şekil A, h) en düşük konuma yerleştirin.
3. Toz atma çıkışının (y) iki yarısını resimde gösterildiği şekilde üst muhafaza (l) üzerinde hizalayın.
4. Vidaları takın ve sağlam bir şekilde sıkın.

Toz atma (Şekil R)



UYARI: Toz solunması riski. Yaralanma riskini azaltmak için, DAİMA onaylı toz maskesi takın.

Toz atma çıkışı (y) aletiniz ile birlikte sunulur. Yağın olarak kullanılan çoğu elektrik süpürgelerinin hortumları toz atma çıkışına doğrudan takılmaya uygundur.



UYARI: HER ZAMAN ağaç kesme işleri sırasında oluşturan toz emisyonlarıyla ilgili yönetmeliklere göre tasarlanmış olan bir elektrik süpürgeyi kullanın. Yağın olarak kullanılan çoğu elektrik süpürgelerin hortumları toz atma çıkışına doğrudan takılmaya uygundur.

BAKIM

STANLEY elektrikli aletinizin minimum bakımla uzun bir süre çalışacak şekilde tasarlanmıştır. Kesintisiz olarak memnuniyet verici bir şekilde çalışması gerekli özenin gösterilmesine ve düzenli temizliğe bağlıdır.

- Aletinizdeki havalandırma deliklerini yumuşak bir fırça veya kuru bir bezle düzenli olarak temizleyin.
- Motor muhafazasını düzenli olarak nemli bir bezle silin. Aşındırıcı veya çözücü bazlı temizleyiciler kullanmayın. Bu aletin servisi kullanıcı tarafından yapılamaz. Bir sorun çıkarsa, yetkili servisiyle temasa geçin.

Çalıştırmadan önce

- Muhafazaların doğru bir şekilde monte edilmiş olduğundan emin olun. Bıçak muhafazası kapalı konumda olmalıdır.
- Testere bıçağının, bıçak üzerindeki ok yönünde dönmesine dikkat edin.
- Aşırı yıpranmış testere bıçakları kullanmayın.

**Yağlama**

Elektrikli aletiniz ek bir yağlama gerektirmemektedir.

**Temizleme**

UYARI: Havalandırma deliklerinde ve etrafında toz toplanması halinde bu tozu ve kiri kuru hava kullanarak ana gövdeden uzaklaştırın. Bu işlemi gerçekleştirirken onaylı bir göz koruması ve onaylı toz maskesi takın.



UYARI: Aletin metalik olmayan parçalarını temizlemek için asla çözücü veya başka sert kimyasal kullanmayın. Bu kimyasallar bu parçalarda kullanılan malzemeleri güçsüzdendirir. Yalnızca su ve yumuşak sabunla nemlendirilmiş bir bez kullanın. Aletin içine sıvı kaçmasına kesinlikle izin vermeyin; aletin herhangi bir parçasını bir sıvı içine daldırmayın.

Alet EMNİYET GÜVENLİĞİ ve GÜVENİLİRLİK için motor kömürünün kontrol edilmesi ve değiştirilmesi dahil olarak tamir, bakım ve ayarlamaların her zaman orijinal Stanley yedek parça kullanılarak, STANLEY yetkili servisler tarafından yapılması gerekmektedir.

Alt muhafaza

Alt muhafaza her zaman tamamen açık konumdan tamamen kapalı konuma geçerken dönmeli ve rahatça kapanmalıdır. Kesimden önce her zaman muhafazayı tamamen açıp kapanmasını bekleyerek, muhafazanın doğru çalıştığını kontrol edin. Eğer muhafaza yavaş kapanır veya tam kapanmazsa, temizlenmesi veya servise götürülmesi gerekmektedir. Doğru çalışana kadar testereyi kullanmayın. Muhafazayı temizlerken, muhafazanın yolunda ve muhafazanın yayının etrafında birikmiş tüm testere talaşlarını ve birikintileri kuru hava veya yumuşak bir fırça kullanarak temizleyin. Eğer bu sorunu gidermezse, yetkili bir servis merkezi tarafından bakılması gerekmektedir.

Bıçaklar

Körelmiş bıçak, verimsiz kesimlere, testere motoru üzerine fazla yük binmesine, aşırı kıymık oluşmasına neden olur ve geri tepme ihtimalini artıracaktır. Testereyi kesim esnasında itmek zorlaştığında, motor zorlanmaya başladığında veya bıçak aşırı ısınmaya başladığında bıçakları değiştirin. İstenilen zamanda elinizde keskin bıçaklar olmasını sağlamak için ilave bıçak bulundurmamak iyi bir uygulamadır. Körelmiş bıçaklar bir çok yerde keskinleştirilebilirler.

Bıçak üzerindeki sertleşmiş zift, gazyağı, terebent veya fırın temizleyicisi ile temizlenebilir. Basınçla işlenmiş yeşil kereste gibi aşırı birikmeye sebep olan kesimler yapılırken yapışmaz kaplamalı bıçaklar kullanılabilir.

AKSESUARLAR

UYARI: STANLEY tarafından tedarik veya tavsiye edilenlerin dışındaki aksesuarlar bu ürün üzerinde test edilmediğinden, söz konusu aksesuarların bu aletle birlikte kullanılması tehlikeli olabilir. Yaralanma riskini azaltmak için bu ürünle birlikte sadece STANLEY tarafından tavsiye edilen

aksesuarlar kullanılmalıdır.

Uygun aksesuarlarla ilgili daha ayrıntılı bilgi için bayinize danışın.

ÇEVRENİN KORUNMASI

Ayrı olarak atın. Bu ürün, normal evsel atıklarla birlikte atılmamalıdır.

STANLEY ürününüzün değiştirilmesi gerektiğini düşünmeniz veya artık kullanılamaz durumda olması halinde onu, evsel atıklarla birlikte atmayın. Bu ürünü, ayrı olarak toplanacak şekilde atın.



STANLEY, hizmet ömrünün sonuna ulaşan STANLEY ürünlerinin toplanması ve geri dönüşüme sokulması için bir imkân sunmaktadır. Bu hizmetin avantajlarından faydalanmak için, lütfen, ürününüzü bizim adımıza teslim alacak herhangi bir yetkili servise iade edin.

Bu kılavuzda belirtilen listeden size en yakın STANLEY yetkili tamir servisinin yerini öğrenebilirsiniz. Ya da, alternatif olarak internet'ten STANLEY yetkili tamir servislerinin listesini ve satış sonrası hizmetlerimizle ilgili tüm bilgiler ve temas bilgilerine aşağıdaki siteden ulaşabilirsiniz. www.2helpU.com

NOTLAR

STANLEY olarak, ürünlerimizi sürekli iyileştirme politikası uyguladığımızdan, önceden haber vermeden ürün özelliklerini değiştirme hakkını saklı tutarız. Standart ekipman ve aksesuarlar ülkeye göre değişebilir. Ürün özellikleri ülkelere göre farklı olabilir. Komple ürün çeşidi tüm ülkelerde geçerli olmayabilir. Ürün çeşidi durumu hakkında lütfen en yakın STANLEY yetkili servisimize temas kurun

SERVİS BİLGİLERİ

STANLEY, kendisine ait ve yetkili servisler ile tam bir servis ağı sunmaktadır. Tüm STANLEY Servis Merkezleri müşterilere etkili ve güvenilir elektrikli el aleti hizmeti sunmak için eğitimli personel ile donatılmıştır. Yetkili servis merkezlerimiz hakkında daha fazla bilgi almak istiyorsanız veya teknik danışmanlık, onarım ya da orijinal fabrika yedek parçası ihtiyacınız varsa, size en yakın STANLEY satış noktasına başvurun.

TEKNİK ÖZELLİKLERİ

DAİRE TESTERE		SC16
Voltaj	V_{AC}	220~240
Frekans	Hz	50-60
Giriş gücü	W	1600
Yüksüz hızı	dev/dak	5500
Maksimum bıçak çapı	mm	190
Maksimum kesme derinliği	mm	65
	90°	50
	45°	
Bıçak göbek çapı	mm	20 / 30
Zıvana açısı ayarı	mm	45°
Ağırlık	kg	3.90

EN 60745'e göre ses basıncı düzeyi:

Ses basıncı (L_{pA})	dB(A)	91.6
Ses basıncı belirsizliği (K_{pA})	dB(A)	3
Akustik güç (L_{WA})	dB(A)	102.6
Akustik güç belirsizliği (K_{WA})	dB(A)	3

Titreşim emisyon değeri ah:

(ah) =	m/s ²	<2.5
belirsizlik (K) =	m/s ²	1.5

TİTREŞİM VE SES

Teknik veriler ve uygunluk beyanati içerisinde belirtilen titreşim ve ses emisyon değerleri EN 62841 tarafından belirlenen standart bir test yöntemine uygun olarak ölçülmektedir ve diğer bir aletle karşılaştırma yaparken kullanılabilir. Beyan edilen titreşim ve ses emisyon değeri aynı zamanda maruz kalman önceden değerlendirilmesinde de kullanılabilir.



UYARI! Elektrikli aletin mevcut kullanımı sırasındaki titreşim ve ses emisyon değeri, aletin kullanım yöntemine bağlı olarak, beyan edilen değere göre farklılık sergileyebilir. Titreşim ve ses düzeyi belirlenen seviyenin üzerinde artış gösterebilir.

İşyerinde düzenli olarak elektrikli alet kullanan çalışanları korumak amacıyla 2002/44/EC tarafından getirilen elektrik güvenliği önlemlerini belirlemek üzere titreşim ve sese maruz kalmayı değerlendirirken, çalışma döngüsü içerisinde

örneğin aletin kapalı olduğu ve aktif durumda olmasının yanı sıra boşta çalıştığı zamanlar gibi, bütün zaman dilimleri dahil olmak üzere mevcut kullanım durumu ve aletin kullanım şekli göz önünde bulundurularak değerlendirilmelidir.

AT Uygunluk Beyanati
MAKİNE DİREKTİFİ**SC16 - Daire Testere**

STANLEY, «teknik özellikleri» bölümünde açıklanan bu ürünlerin aşağıda belirtilen yönergelere uygun olduğunu beyan eder: 22006/42/EC, EN 62841-1: 2015, EN 62841-2-5: 2014.

Bu ürünler ayrıca 2014/30/EU ve 2011/65/EU Direktiflerine de uygundur.

Daha fazla bilgi için, lütfen aşağıdaki adresten STANLEY ile irtibata geçin veya kılavuzun arkasına bakın. Bu belge altında imzası bulunan yetkili, teknik dosyanın derlenmesinden sorumludur ve bu beyanı STANLEY adına vermiştir.

R.Laverick

Mühendislik Bölümü Müdürü

STANLEY Europe, Egide Walschaertsstraat 14-18,
2800 Mechelen, Belçika
06.2018

İKİ YILLIK GARANTİ

Sahip olduğunuz STANLEY ürünü satın alma tarihinden itibaren 24 ay içinde hatalı malzeme veya işçilik nedeniyle bozulursa, STANLEY aşağıdaki şartlara uyulması koşuluyla ücretsiz olarak tüm kusurlu parçaların yenilenmesini veya -kendi inisiyatifine bağlı olarak- satın alınan ürünün değiştirilmesini garanti eder:

- Ürün, hatalı kullanılmamış kullanım kılavuzuna uygun kullanılmıştır;
- Ürün yıpranmamış, hırpalanmamış ve aşınmamıştır;
- Yetkili olmayan kişilerce tamire çalışılmamıştır;
- Satın alma belgesi (fatura) ibraz edilmiştir;
- STANLEY ürünü, tüm orijinal parçaları ile birlikte iade edilmiştir;
- Ürün kiraya verilmemiştir.

Garanti talebinde bulunmak için, lütfen satıcıyla irtibata geçin veya STANLEY katalogunda belirtilen size en yakın STANLEY yetkili satıcı adresini kontrol edin veya ürünün kılavuzunda belirtilen adresteki yerel STANLEY yetkili tamir servisi ile temas kurun. İnternet'ten Stanley yetkili tamir servislerinin listesine ve satış sonrası hizmetlerimizle ilgili tüm bilgilerine aşağıdaki siteden ulaşabilirsiniz: www.2helpU.com

Sanayi ve Ticaret Bakanlığı tebligince kullanım ömrü 7 yıldır.

Türkiye Distribütörü

**STANLEY BLACK&DECKER TURKEY ALET ÜRETİM
SAN. TIC. LTD.STI. AND Kozyatağı**

İçerenköy Mahallesi Umut Sokak

No:10-12 Kat :19 Ataşehir / İstanbul

Tel : (0216) 665 29 00

Faks : (0216) 665 29 01

E-posta: info-tr@sbdinc.com

